



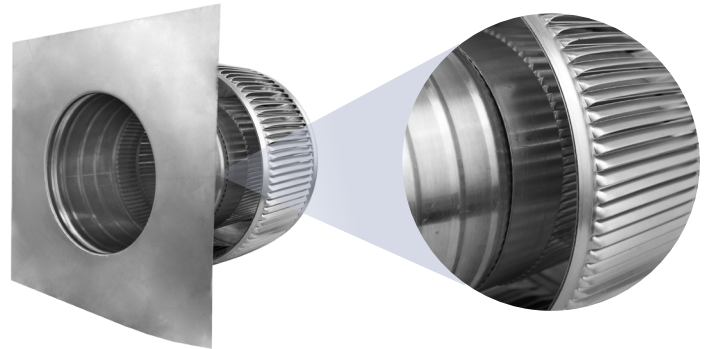
Aura Gravity Roof Ventilator

Model Number: AV-6-C2 | 6" Diameter 2" Tall Collar

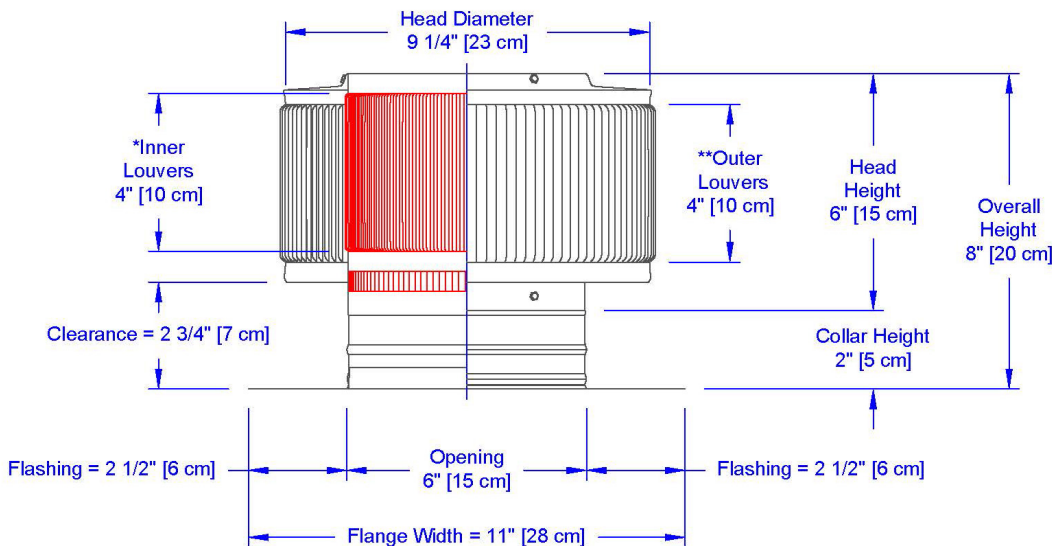


- Removes heat from the attic in the summer and moisture in the winter
- Exhausts air like a roof turbine but with no moving parts
- Louvers will prevent rain, snow, insects and animals from entering
- If installed 1-2 feet from peak it can be installed on 3/12 pitch or greater
- Constructed of durable rust-free aluminum
- UL Certified, Florida State & California Fire Code approved, Texas Department of Insurance approved
- Tested to withstand wind speeds of 200+ mph
- Available in over 40 colors

CFM Performance Testing (using wind only)				
4 mph	5.2 mph	7.4 mph	9.8 mph	11 mph
41	62	80	122	126



Dimensions & Specifications 28 Sq. in. NFA



Pitch Capacity		
Min.	Max. (Standard Vent)	Max. (Modified)
3/12	6/12	12/12
Net Free Vent Area		
(sq. inches)	(sq. feet)	
28	0.19	
Application per Sq. Foot		
(1/150)	(1/300)	
58	116	
Weight		
1.65 lbs		