

Active Ventilation Products, Inc.

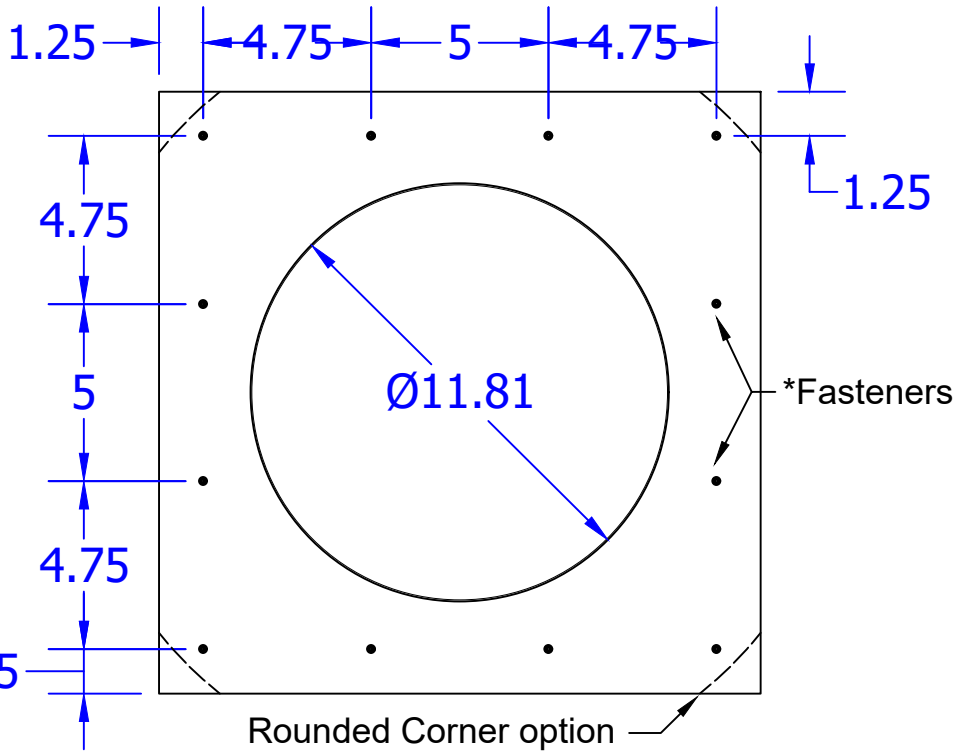
Visit us: roofvents.com

Email us: sales@roofvents.com

Installation Instructions

3/7/2024

Boot Vent Kit Models: FL-11.8125-C12 & Boot-TPO-12-C12 Head Diameter: 12"

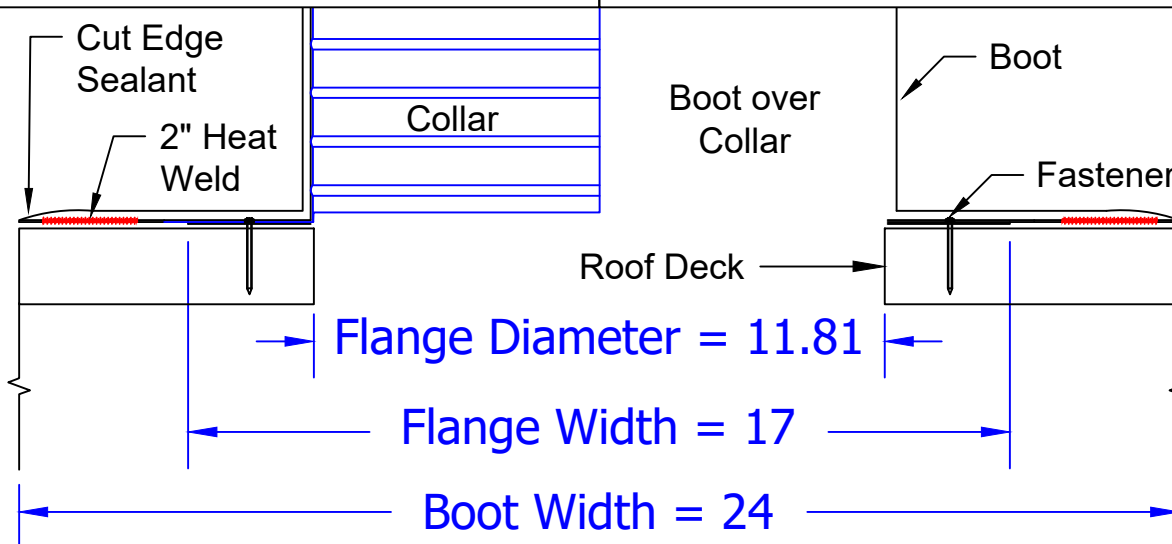


Step 1: Cut out hole to flange diameter.

Pull back boot, and install sub-base using Flat, Bugle or Wafer Head #10 x 1 1/2" Sheet Metal Screws, Type A Point [Quantity: 12]

Step 2: Heat weld TPO boot 2" from the the edges, fusing the boot to the TPO membrane roof.

*Fasteners are not included



Drawing not to scale