



Aura Solar Attic Fan

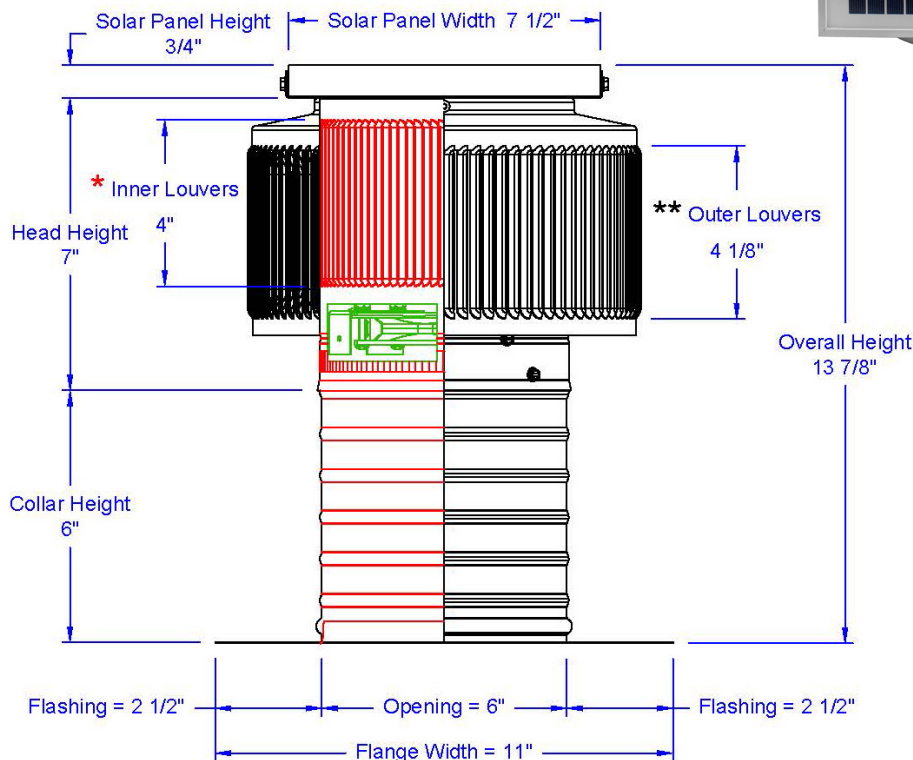
Model Number: ASF-6-C6 | 6" Diameter 6" Tall Collar



- Solar Panel only works in bright, direct sunlight
- The exhaust fan will also work passively by using wind power
- Fan is available with optional Shut-Off Switch and Tandem Solar Panels
- Louvers are designed to prevent rain, snow and wildlife from entering
- Solar Panel is made of high transparent low iron, tempered glass
- Fan head is removable for easy installation and maintenance
- Constructed of durable rust-free aluminum
- 1 year warranty



Dimensions & Specifications



| | |
|----------------------|-------------|
| Total CFM: | |
| 205 @ 0.1SP | |
| Motor Type: Case Fan | |
| Solar Panel: | 3W |
| Number of Fans: | 1 |
| Voltage: | 12 |
| Fan Wattage: | 3.12 |
| Total Wattage: | 3.12 |
| Net Free Vent Area | |
| (sq. inches) | (sq. feet) |
| 29 | 0.19 |