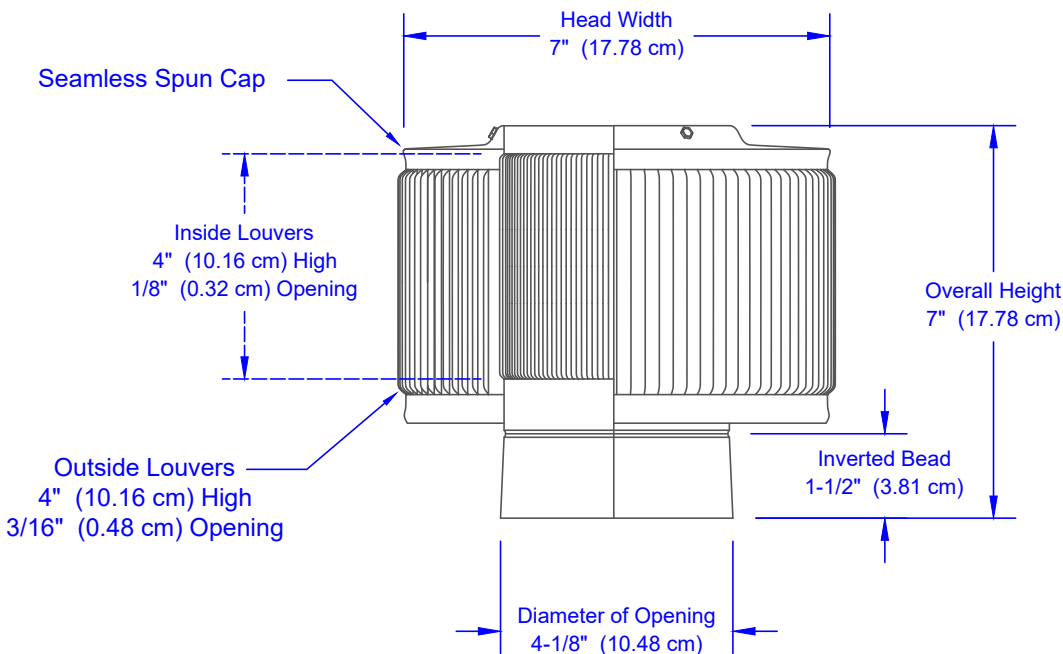


Aura Turbine Retrofit Gravity Vent Model Number: AV-4-RF | 4" Diameter



- Removes hot air from the attic in the summer and moisture in the winter to provide optimal ventilation
- Designed to replace old turbine vents and fit over an existing base
- Engineered to prevent rain, snow, insects and animals from entering
- Allows for quick and easy installation
- Constructed of durable rust-free aluminum
- Designed to withstand wind speeds of 120 mph
- Colors are available See *RAL Color Chart*

Dimensions & Specifications 12 Sq. in. NFA



Note: All dimensions are within ± 0.1" (2.54 mm)



*Base not included

Net Free Vent Area				
(sq. inches)	(sq. feet)			
12	0.08			
Application per Sq. Foot				
(1/150)	(1/300)			
25	50			
Weight				
1 lb				
CFM Performance Testing (using wind only)				
4 mph	5.2 mph	7.4 mph	9.8 mph	11 mph
26	38	51	59	62