

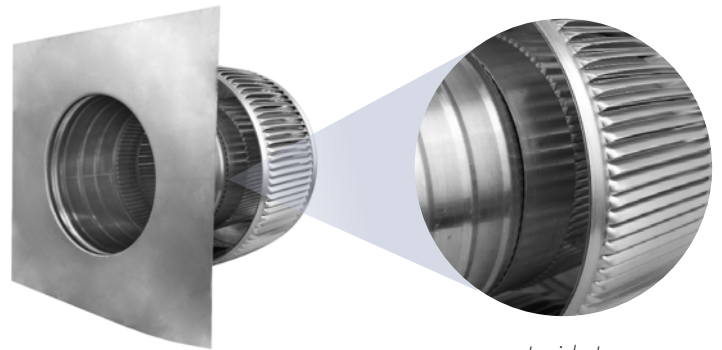


## Aura Gravity Roof Ventilator

Model: AV-6-C2 | 6" Diameter 2" Tall Collar | 28 Sq. in. NFA



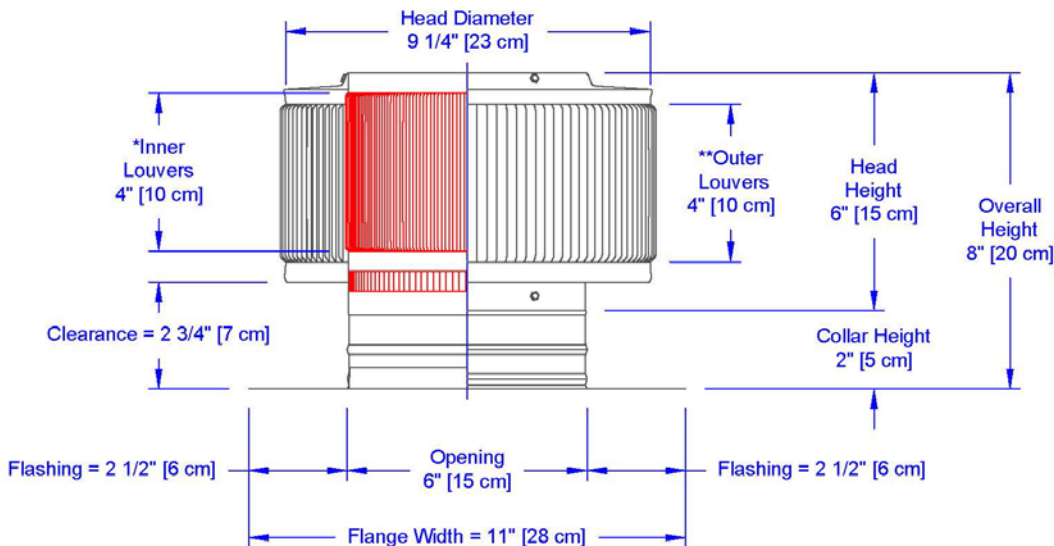
- Removes heat from the attic in the summer and moisture in the winter
- Exhausts air like a roof turbine but with no moving parts
- Louvers will prevent rain, snow, insects and animals from entering
- If installed 1-2 feet from peak it can be installed on 3/12 pitch or greater
- Constructed of durable rust-free aluminum
- UL Certified, Florida State & California Fire Code approved, Texas Department of Insurance approved
- Tested to withstand wind speeds of 200+ mph
- Available in over 40 powder coat colors



Inside Louvers

CFM Performance Testing (using wind only)				
4 mph	5.2 mph	7.4 mph	9.8 mph	11 mph
41	62	80	122	126

## Dimensions & Specifications



Pitch Capacity		
Min.	Max. (Standard Vent)	Max. (Modified)
3/12	6/12	12/12
Net Free Vent Area		
28 sq. inches	0.19 sq. feet	
Application per Sq. Foot		
58 (1/150)	116 (1/300)	
Weight = 1.65 lbs		