

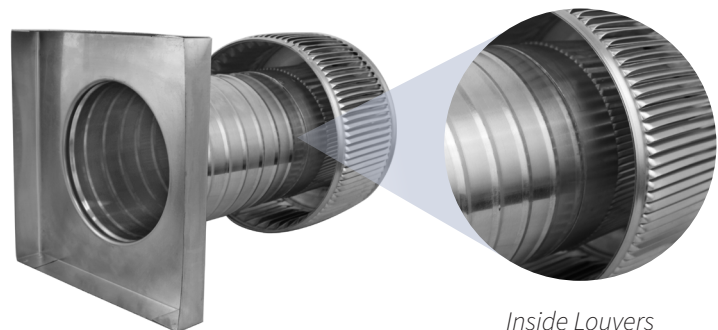


## Aura Gravity Roof Ventilator with Curb Mount Flange Model Number: AV-6-C8-CMF | 6" Diameter 8" Tall Collar



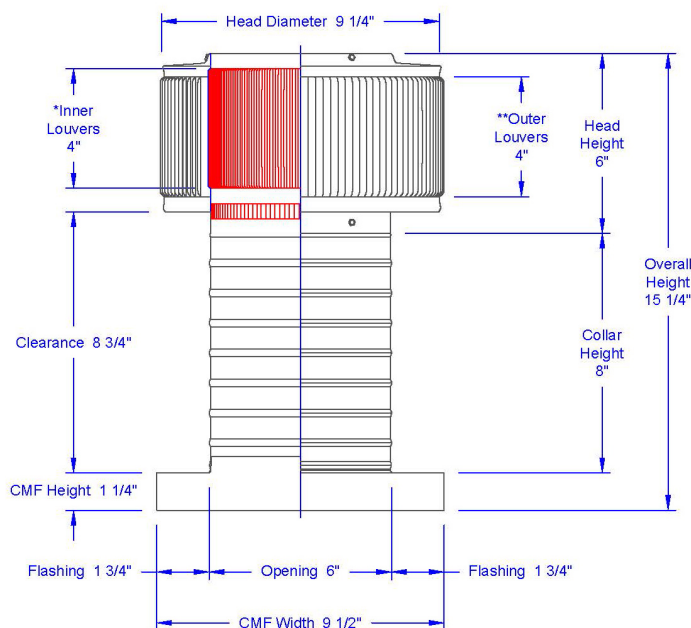
- Removes heat from the attic in the summer and moisture in the winter
- Louvers prevent rain, snow, insects and animals from entering
- Curb mount flange allows for easy access to the attic or duct below
- Exhausts air like a roof turbine but with no moving parts
- For low slope or flat roofs on top of roof curbs
- Constructed of durable rust-free aluminum
- Powder coating colors are available

CFM Performance Testing (using wind only)				
4 mph	5.2 mph	7.4 mph	9.8 mph	11 mph
41	62	80	122	126



Inside Louvers

### Dimensions & Specifications 28 Sq. in. NFA



Pitch Capacity		
Min.	Max. (Standard Vent)	Max. (Modified)
0/12	5/12	12/12
Net Free Vent Area (sq. inches)		(sq. feet)
28		0.19
Application per Sq. Foot		
(1/150)		(1/300)
58		116
Weight		
1.9 lbs		