

Aura Gravity Roof Ventilator

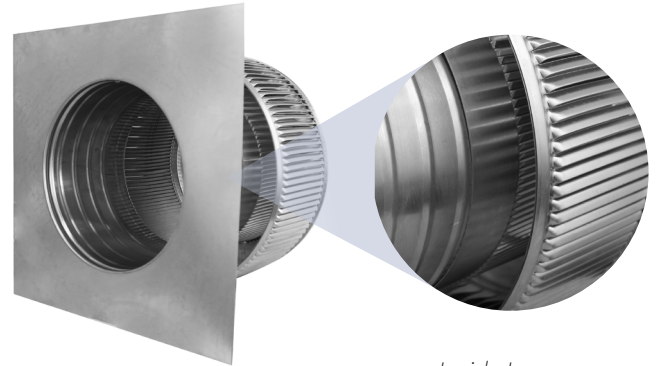
Model: AV-8-C2 | 8" Diameter 2" Tall Collar | 50 Sq. in. NFA



- Removes heat from the attic in the summer and moisture in the winter
- Exhausts air like a roof turbine but with no moving parts
- Louvers prevent rain, snow, insects and animals from entering
- Constructed of durable rust-free aluminum
- UL Listed, Florida State & Texas Department of Insurance approved
- Tested to withstand wind pressure exceeding 200+ mph
- Available in over 5 powder coat colors

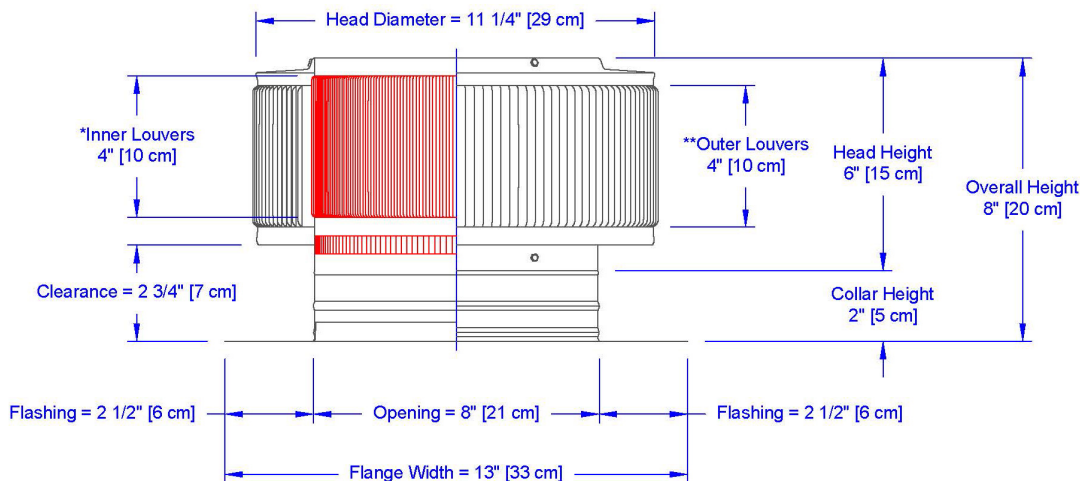


CFM Performance Testing (using wind only)				
4 mph	5.2 mph	7.4 mph	9.8 mph	11 mph
80	98	145	165	185



Inside Louvers

Dimensions & Specifications



Pitch Capacity		
Min.	Max. (Standard Vent)	Max. (Modified)
3/12	5/12	12/12
Net Free Vent Area		
50 sq. inches	0.35 sq. feet	
Application per Sq. Foot		
104 (1/150)	208 (1/300)	
Weight = 2.2 lbs		