



## Keepa Boot Vent Kit

### Model: KBV-12-C11

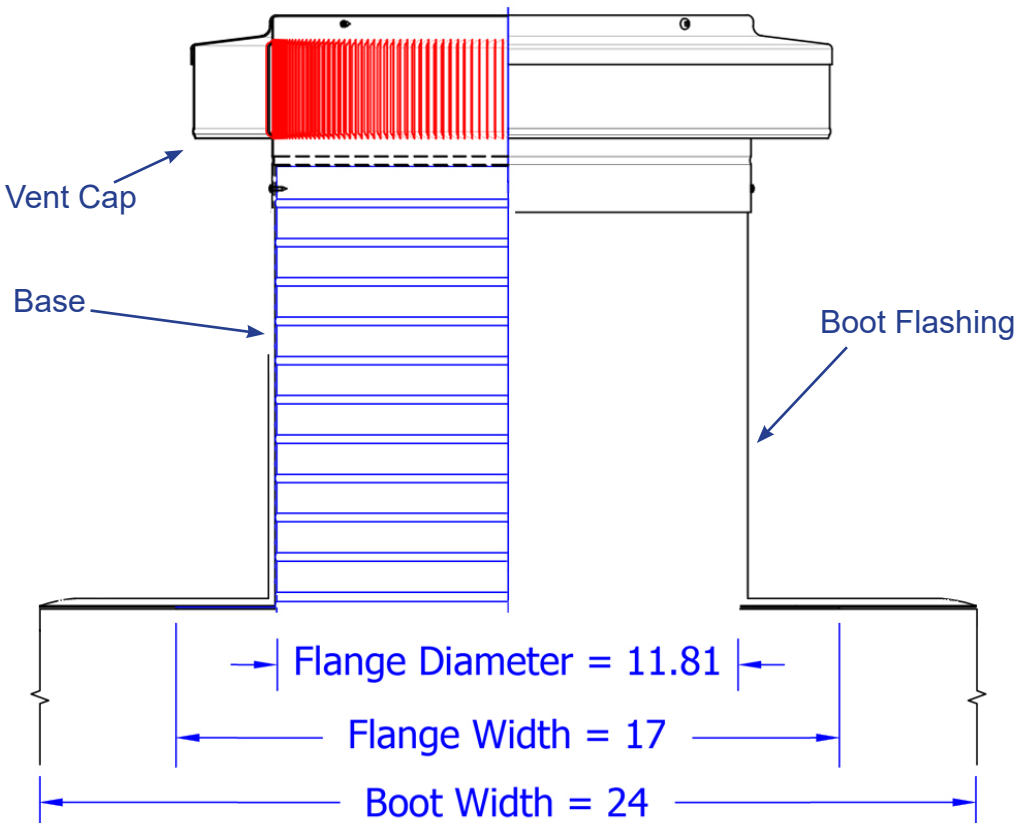
Keepa Boot Vent 12" diameter with 11" collar



Patent Pending

- Removes heat and moisture from the roof year-round
- Will not let rain or snow in while allowing air in the attic
- Inner louvers prevent insects and animals from entering
- It can be used as a roof vent or a roof jack for an HVAC system
- Arrives assembled for quick and easy installation
- Constructed of durable, rust-free aluminum
- Boot flashing is constructed of TPO membrane
- Intended for low slope or flat roofs
- A two-way vent
- Available in white and mill finish

## Dimensions & Specifications



Keepa Vent head



View of boot going over sub base

Pitch Capacity	
Min.: 0/12	Max.: 12/12
Net Free Vent Area	
113 sq. inches	0.78 sq. feet
Application per Sq. Foot	
235 (1/150)	470 (1/300)
Weight = 4.76 lbs	