



Keepa Roof Vent with a Curb Mount Flange

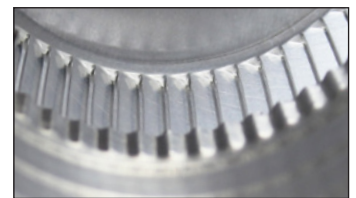
Model: KV-3-CMF

Keepa Vent 3" diameter with Curb Mount Flange
designed for a roof curb with a Maximum OD of 6 3/8" X 6 3/8"

- Used for venting attics, plenums and HVAC ducts
- Engineered to prevent rain, snow, insects and animals from entering
- Designed to be installed onto a roof curb
- Engineered to withstand wind pressures over 200 mph
- Vent head is removable for easy maintenance
- Constructed of durable rust-free aluminum
- Available in many powder coated colors

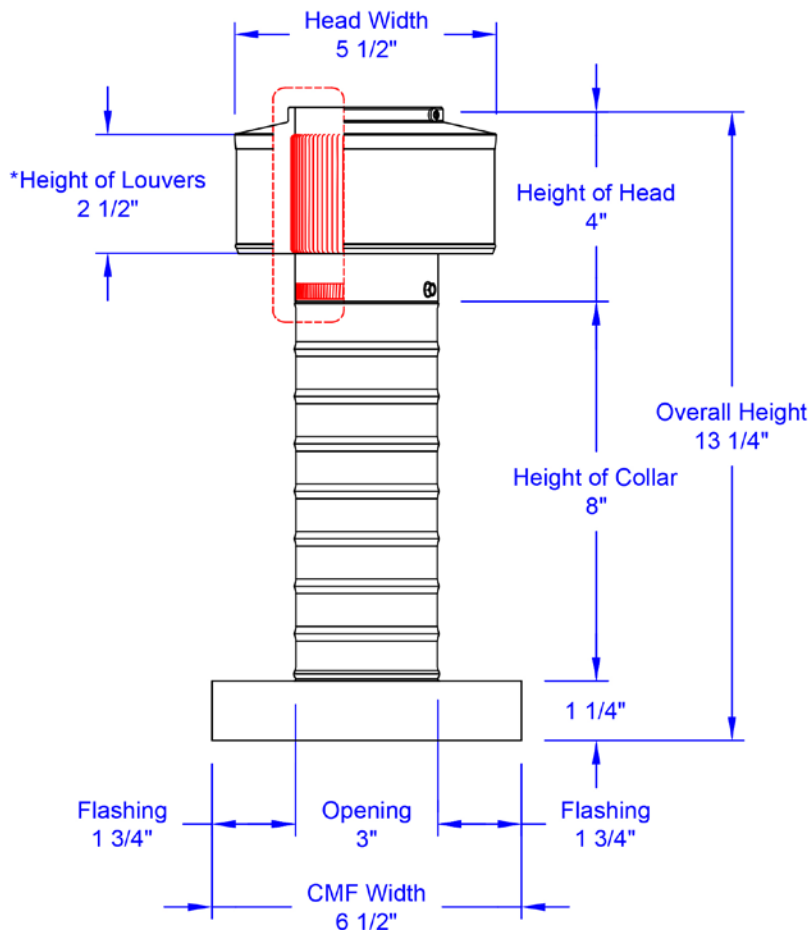


Close up of louvers - Outside



Close up of louvers - Inside

Dimensions & Specifications



Bottom view of Curb Mount Flange

Pitch Capacity	
Min.: 0/12	Max.: 12/12
Net Free Vent Area	
7 sq. inches	0.05 sq. feet
Application per Sq. Foot	
14 (1/150)	29 (1/300)
Weight = 1 lbs	