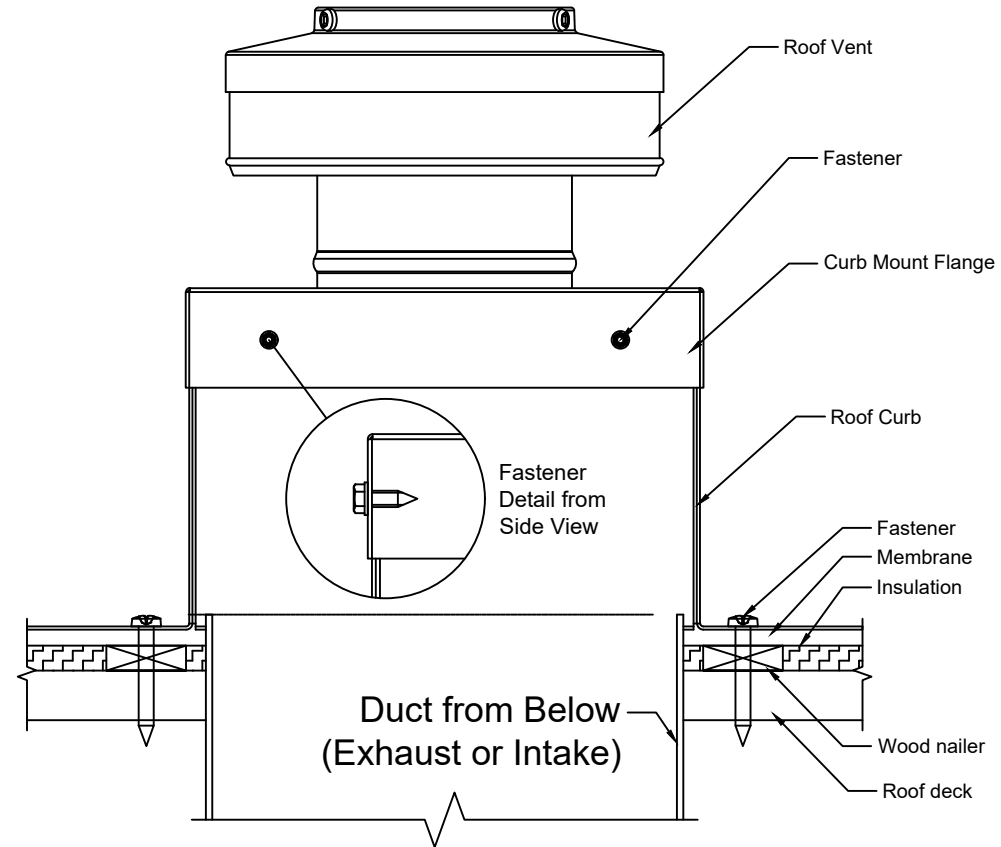


## Curb Mount Flange Installation Detail

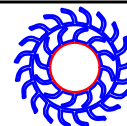


## Curb Mount Flange Installation Instructions

1. Slide Curb Mount Flange onto the Roof Curb.
2. Attach Curb Mount Flange to Roof Curb using screws.
3. *Recommended installation screw: Flat, Bugle or Wafer Head #10 x 1/2" Sheet Metal Screw, Type A Point*
4. Total number of screws needed for CMF = 8 (*screws not included*)

**Keepa Attic Vent with Curb Mount Flange**

**Model: KV-6-CMF**



**Active Ventilation Products, Inc.**

Website: [roofvents.com](http://roofvents.com)

Email: [sales@roofvents.com](mailto:sales@roofvents.com)

9/1/2023