

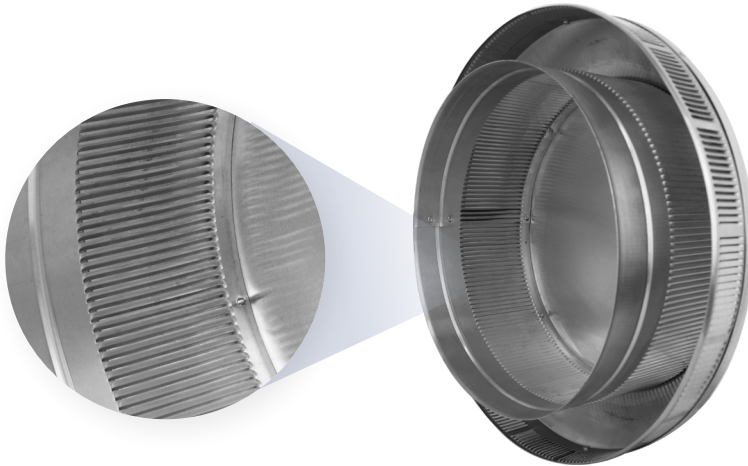


Pop Vent Retrofit Roof Louver

Model Number: PV-12-RF | 12" Diameter

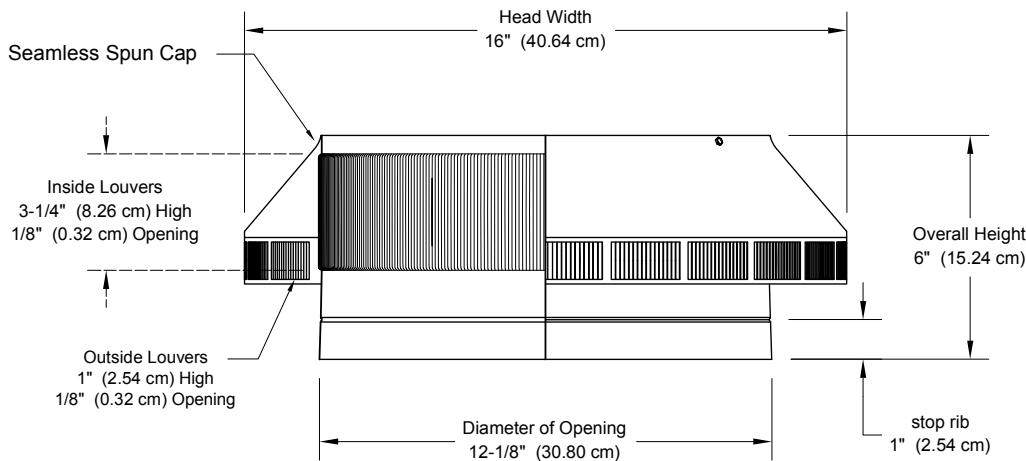


- Pop Vent Roof Louver provides peak ventilation by removing hot air in the summer and moisture in the winter from the attic
- Roof Vent will fit over an existing base
- Inner louvers prevent wildlife, rain and snow from entering the roof
- Allows for quick and easy installation
- Constructed of durable rust-free aluminum
- Colors are available to match the roof or existing base



*Base not included

Dimensions & Specifications 113 Sq. in. NFA



Net Free Vent Area	
(sq. inches)	(sq. feet)
113	0.78
Application per Sq. Foot	
(1/150)	(1/300)
235	470
Weight	
4 lbs	