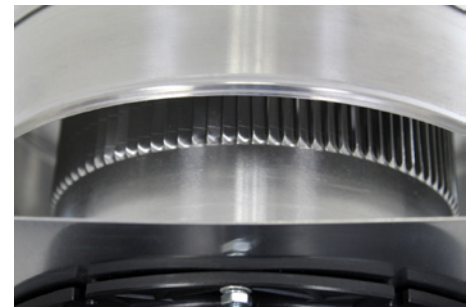




RBF-6-C2 Round Back Attic Fan

Reduce Attic Temperatures with the Round Back Attic Fan. Designed to Exhaust Continuously to Provide Optimal Ventilation.



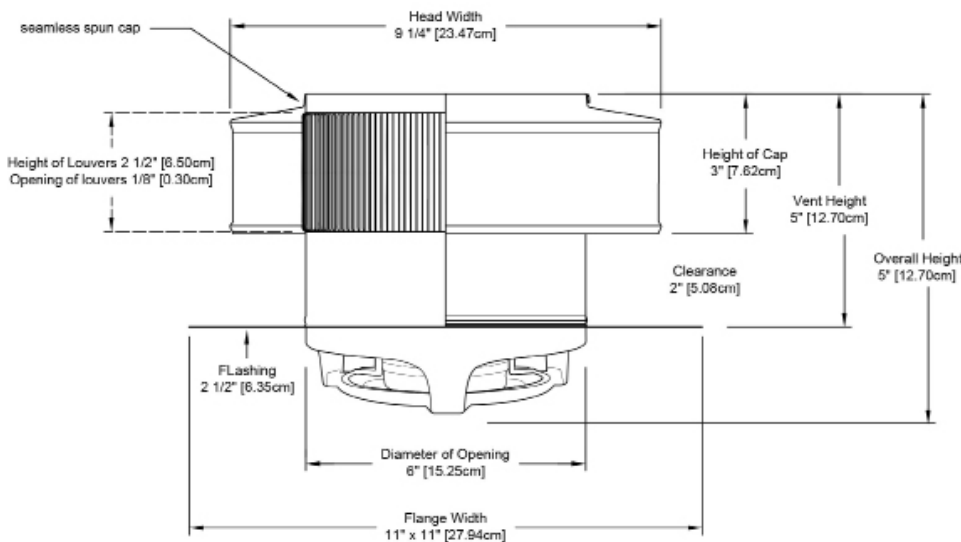
- Constructed on durable rust-free aluminum
- Collars are available to increase the height of the vent
- Exhausts passively when the electric fan is off
- Paint colors available
- 1 Year Warranty

Motor & Propeller Specs:

Horsepower:
Maximum Amps: 0.3
Propeller Diameter: 5 in

Total CFM: 120

Dimensions & Specifications



Pitch Capacity

Min.: 3/12

Max.: 12/12

Net Free Vent Area

28 sq. inches

0.19 sq. feet

Application per Sq. Foot

50 (1/150)

100 (1/300)

Weight = 9.6 lbs