



Active Ventilation Products, Inc.

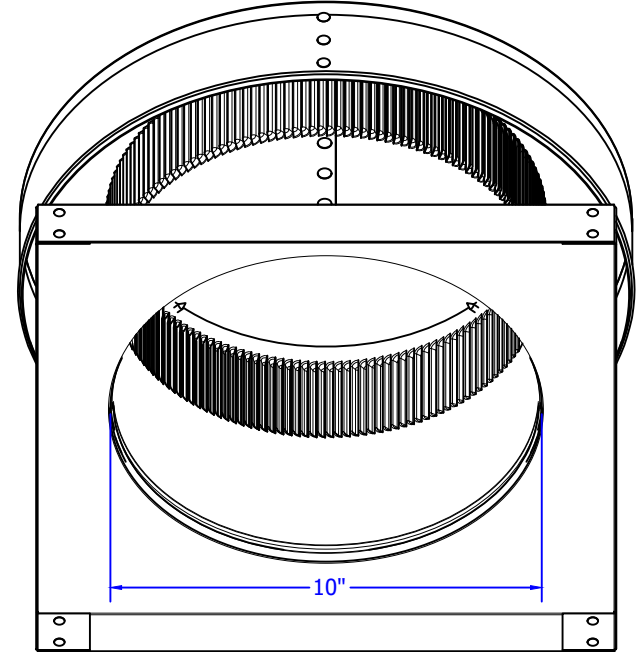
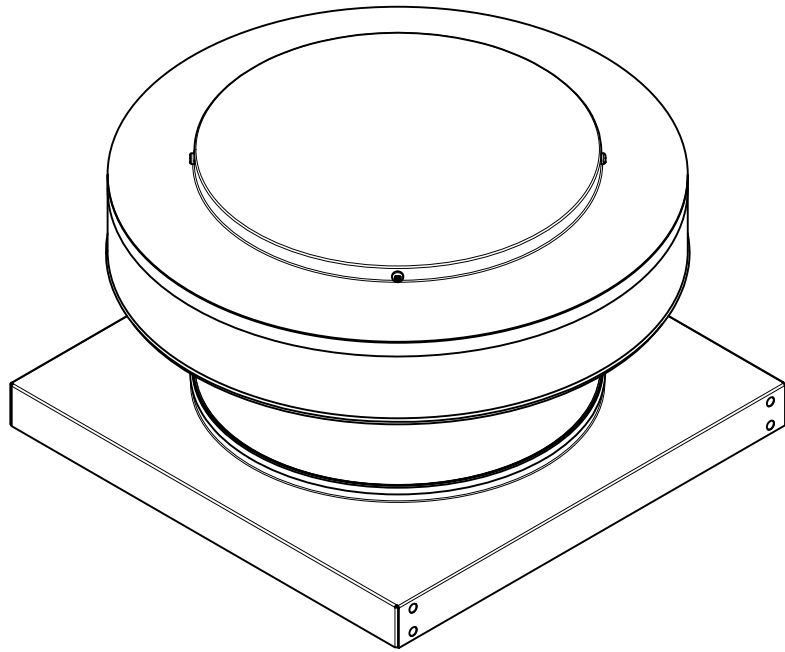
Website: roofvents.com

Email: sales@roofvents.com

Specification Sheet

7/27/2022

Round Back Vent with CMF Model: RBV-10-C4-CMF Diameter: 10" Collar Height: 4"



- Aluminum Alloy 3000 Series
- Minimum Thickness = 0.025"

