



Round Back Intake Roof Vent

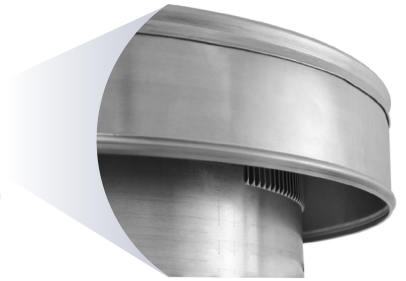
Model Number: RBV-12-C2-IN | 12" Diameter 2" Tall Collar



Left side view



The top 1/3 of the collar is closed to prevent runoff from splashing inside the vent. This side is to be facing the ridge.

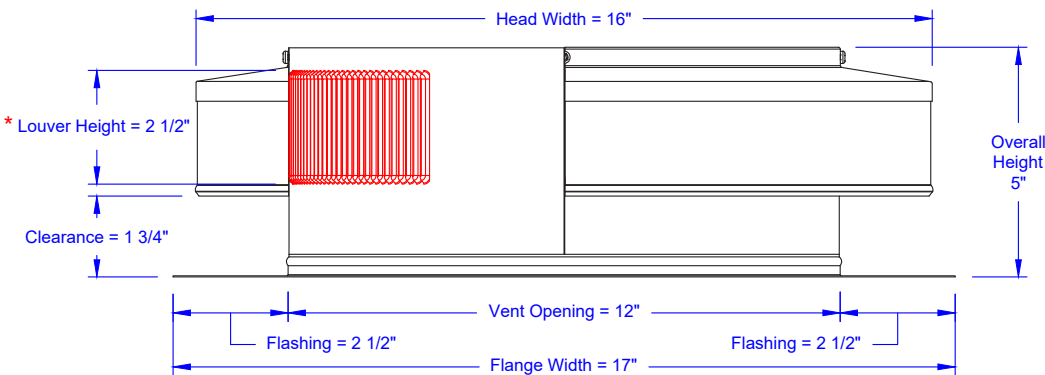


Right side view

- Provides fresh air into the attic from the top side of the roof
- Constructed of durable rust-free aluminum
- Comes in standard Mill Finish
- Powder coating available in white, black and weatherwood
- 5 Year Warranty



Dimensions & Specifications



Pitch Capacity	
Minimum	Maximum
2/12	5/12
Net Free Vent Area based on Roof Opening	
(sq. inches)	(sq. feet)
113	0.78
Application per Sq. Foot	
(1/150)	(1/300)
235	470
Weight	
2 lbs	