



Round Back Static Roof Vent

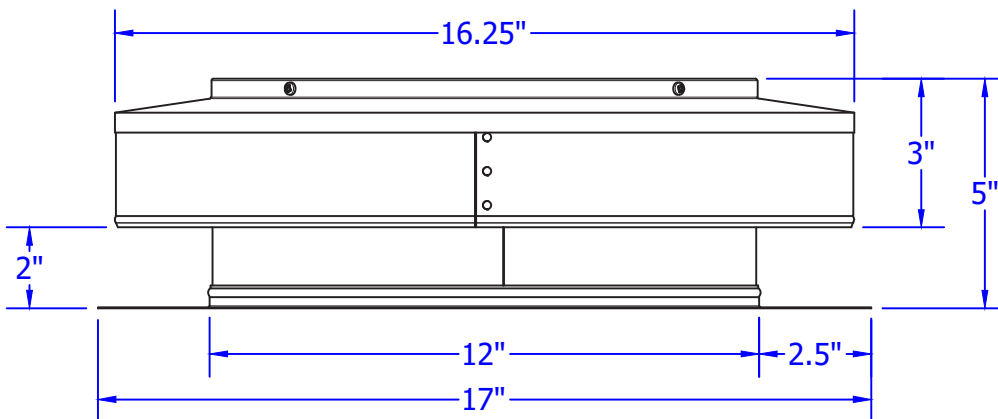
Model Number: RBV-12-C2 | 12" Diameter 2" Tall Collar



- Removes hot air in the summer and moisture in the winter for year-round attic ventilation
- Engineered to prevent rain, snow and wildlife from entering
- Air flows freely through inner louvers better than insect screen
- Constructed of durable rust-free aluminum
- UL Certified, Florida State & California Fire Code approved; Tested to withstand wind speeds of 200+ mph
- 5 Year Warranty



Dimensions & Specifications *113 Sq. in. NFA*



| Pitch Capacity | |
|--------------------------|--------------|
| Min. | Max. |
| 3/12 | 12/12 |
| Net Free Vent Area | |
| (sq. inches) | (sq. feet) |
| 113 | 0.78 |
| Application per Sq. Foot | |
| (1/150) | (1/300) |
| 235 | 470 |
| Weight | |
| 2 lbs | |