

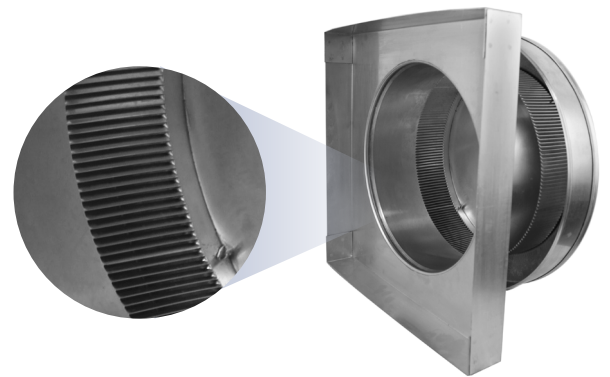
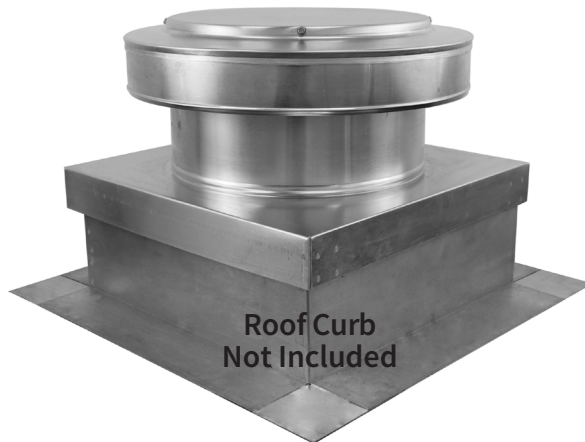


Round Back Static Vent with Curb Mount Flange

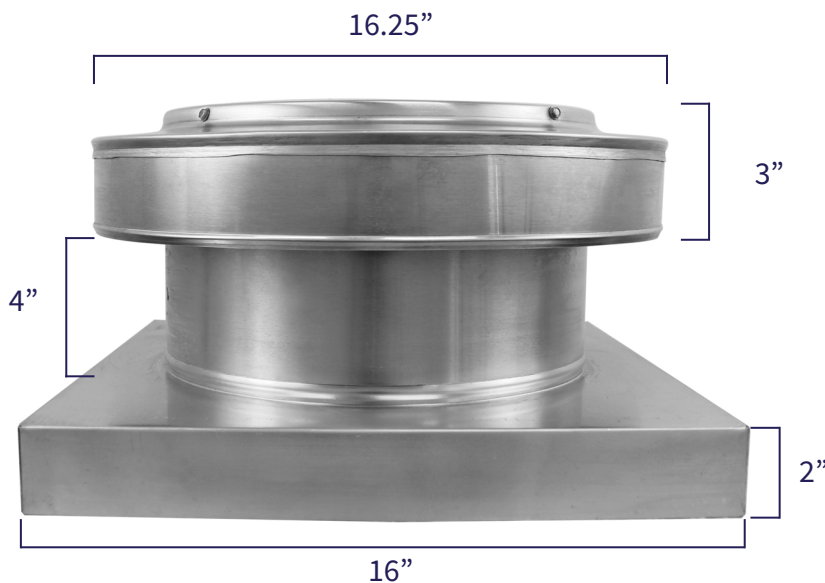
Model Number: *RBV-12-C4-CMF* | 12" Diameter 4" Tall Collar



- Round Back Static Vents removes hot air in the summer and moisture in the winter for year-round attic ventilation
- Curb Mount Flange fits over roof curbs for easy installation
- Engineered to prevent rain, snow and wildlife from entering
- Can be used as a hatch to service the attic or plenum
- Constructed of durable rust-free aluminum
- 5 Year Warranty



Dimensions & Specifications *113 Sq. in. NFA*



Net Free Vent Area	
(sq. inches)	(sq. feet)
113	0.78
Application per Sq. Foot	
(1/150)	(1/300)
235	470