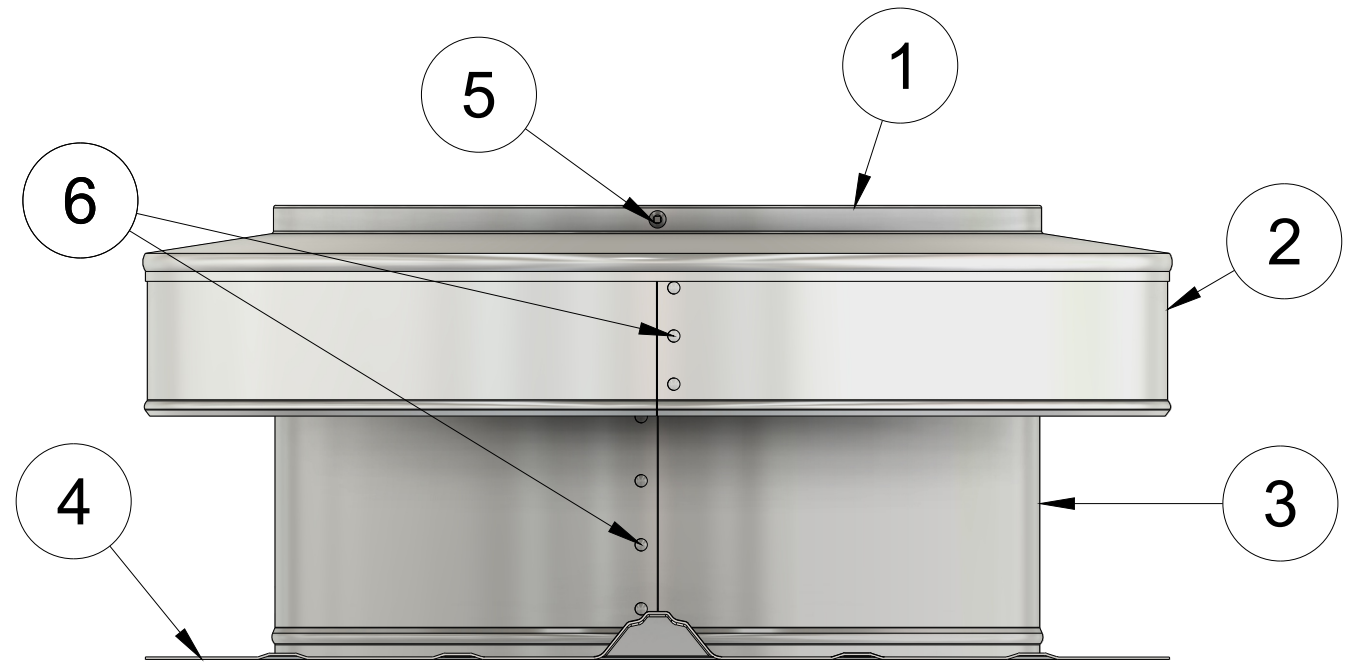
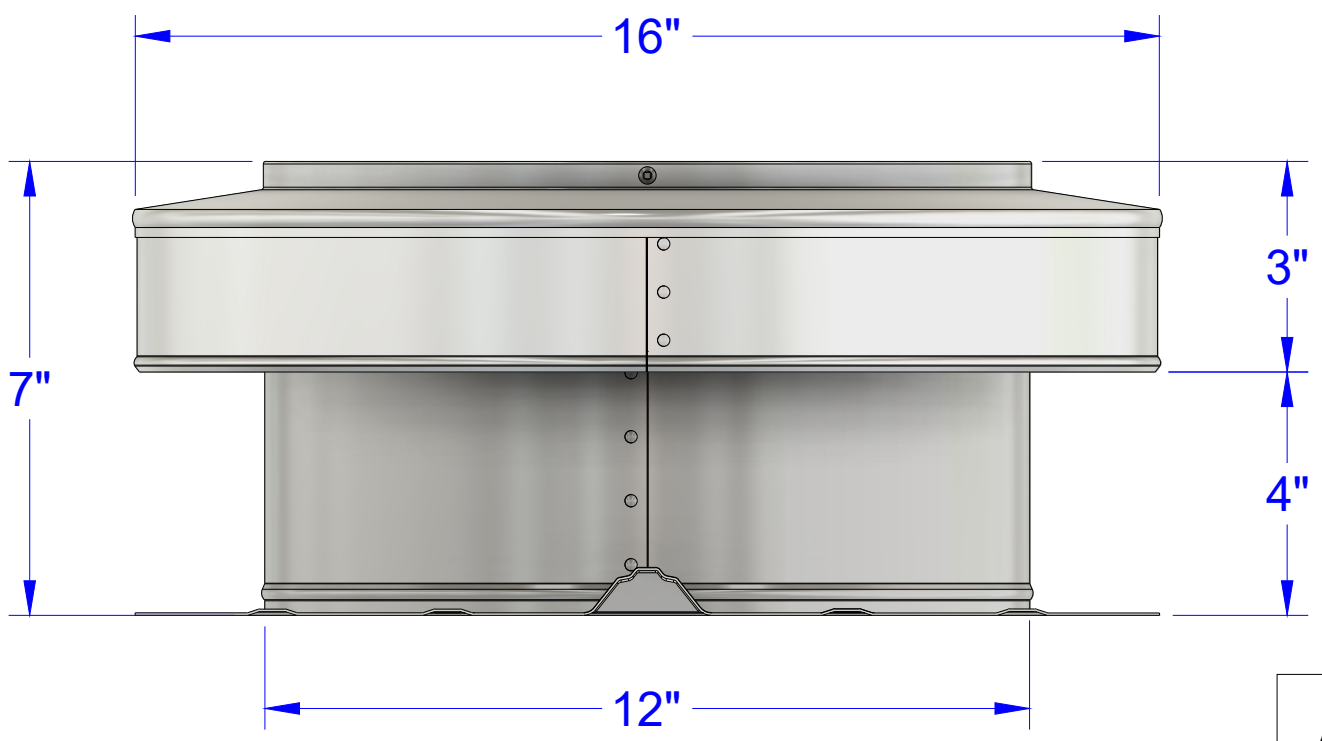
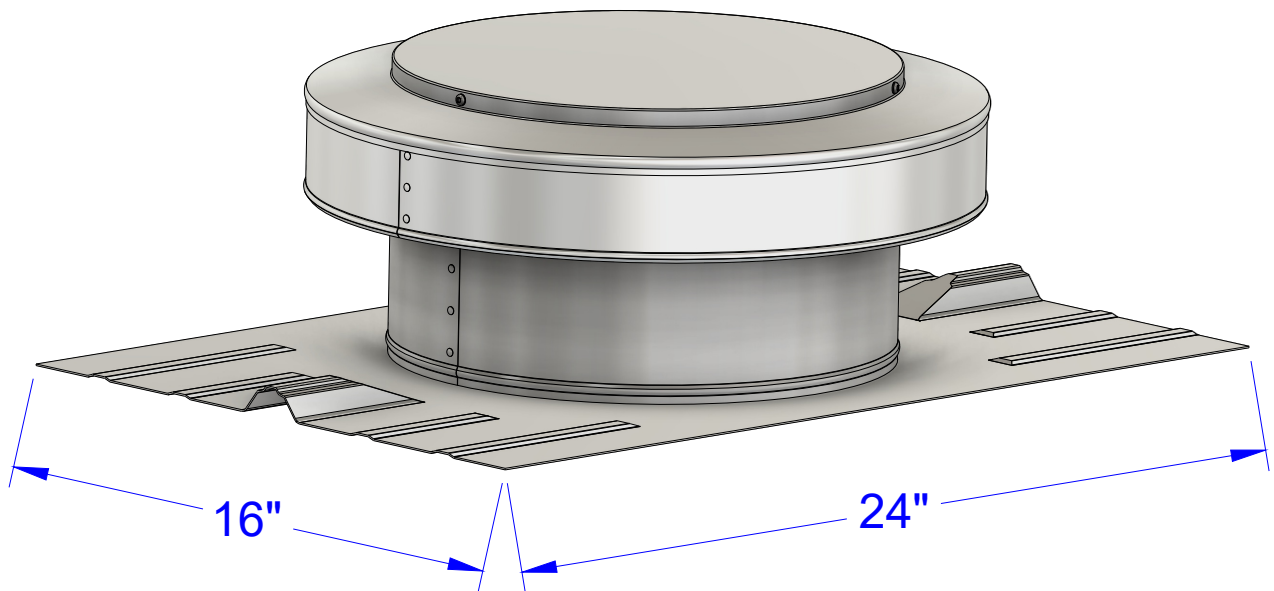



Parts List - Round Back Vent with SM-rib Mounting Flange			
Item	Qty	Description	Material
1	1	Lid	3003-0 Aluminum
2	1	Rainguard	3003-H14 Aluminum
3	1	Wrap-a-round	3003-H14 Aluminum
4	1	SM-rib Mounting Flange	3003-0 Aluminum
5	3	Pan Head Tapping Screws #6 x 3/8" AB Point	410 Stainless Steel
6	7	Oval Head Semi-Tubular Rivets 1/8" x 3/16"	5056 Aluminum



All Dimension are in inches		Drawn by	Date	 Active Ventilation Products Assembly Drawing Round Back Vent with SM-rib Mounting Flange RBV-12-C4-SM-rib
		R. Larsen	03/31/2026	
Tolerance (L x W)	± .25			
Material Thichness	.025 to .032 ± .005			
Scale	Not to Scale			
Drawing File	RBV-12-C2/C4-SM-rib Drawing			
Model File	RBV-12-C4-SM-rib			
				Sheet 2 of 8