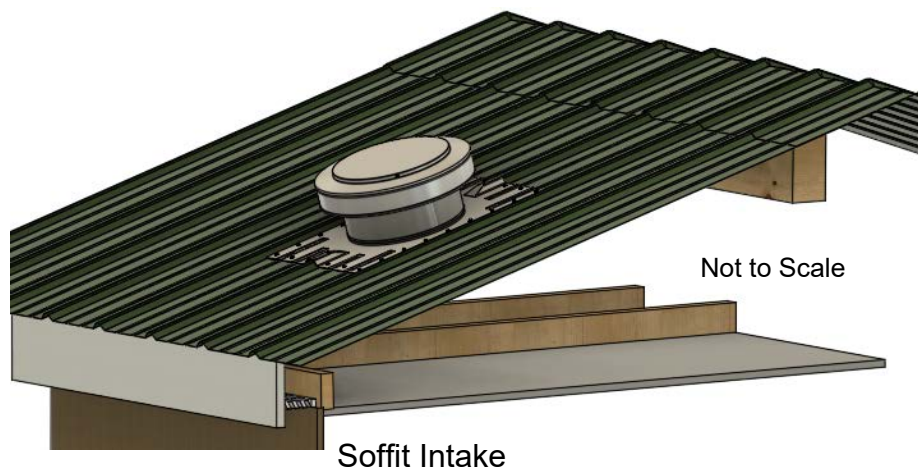
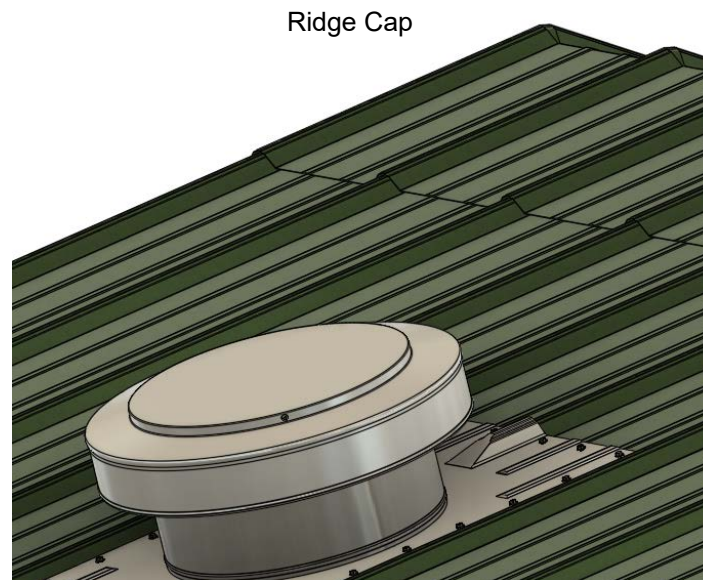


# Round Back Roof Vent Installation Instructions

Model: RBV-12-C4-SM-rib Diameter: 12" Collar Height: 4"



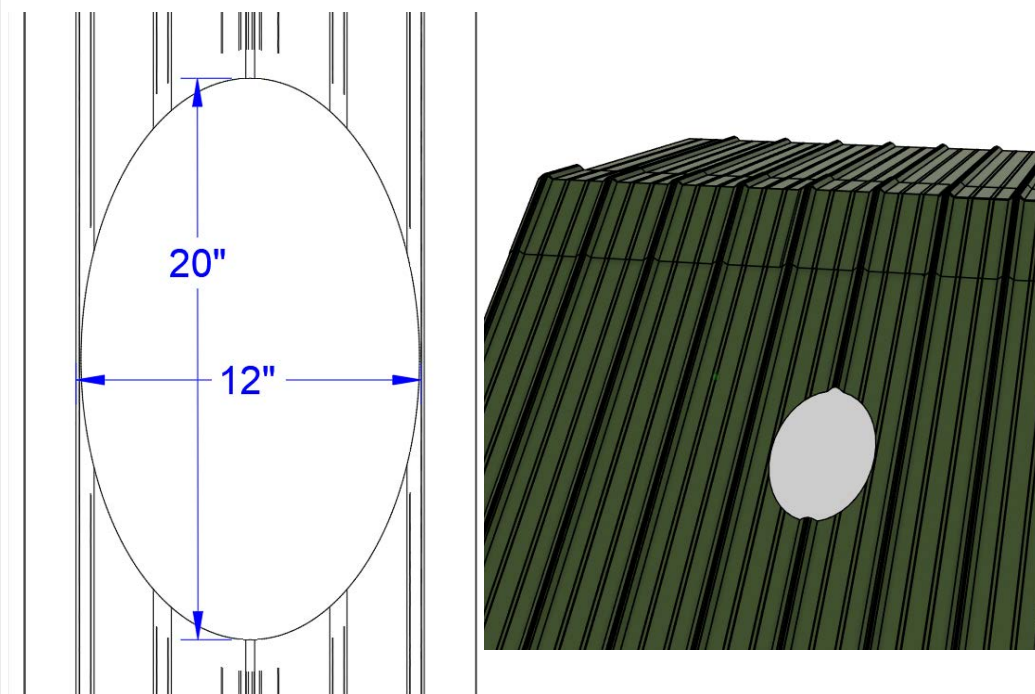
1



## A low profile roof vent for R- Panel roofs such as SM-Rib, Tuff-Rib, Panel-Loc Plus & Master Rib

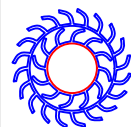
1. The Round Back Roof Vent should be installed no more than 4ft from ridge cap. (see pic 1)
2. Cut an oval hole 20" Long and 12" wide below the ridge, the hole should be centered over one main rib. (see pic 2)
3. Place 1" butyl tape on all four sides of the flange. The tape needs to be overlapped at each corner. (see pic 3)
4. Mechanically attach the Roof Vent Flange on all four sides to the roof. Screws are placed 3/4" from edges of flange with approximately 2 3/4" spacing between each screw. (see pic 4)

2



### Recommended installation screws:

#8 or #10 size self tapping tech screws that have rubberized washers. (Not included)

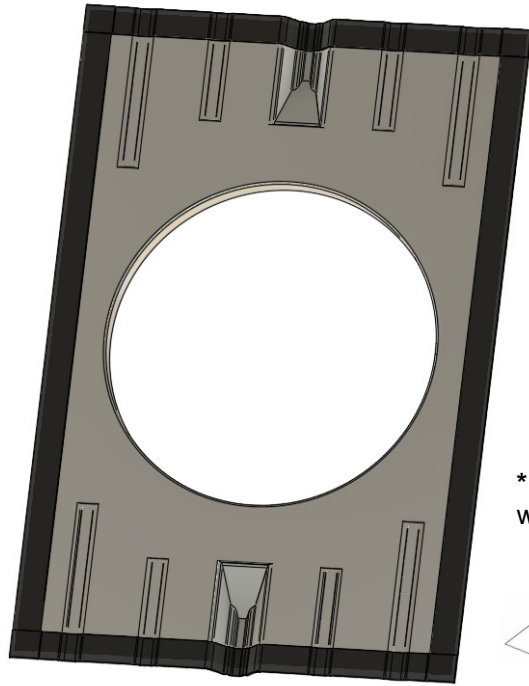


**Active Ventilation Products, Inc.**

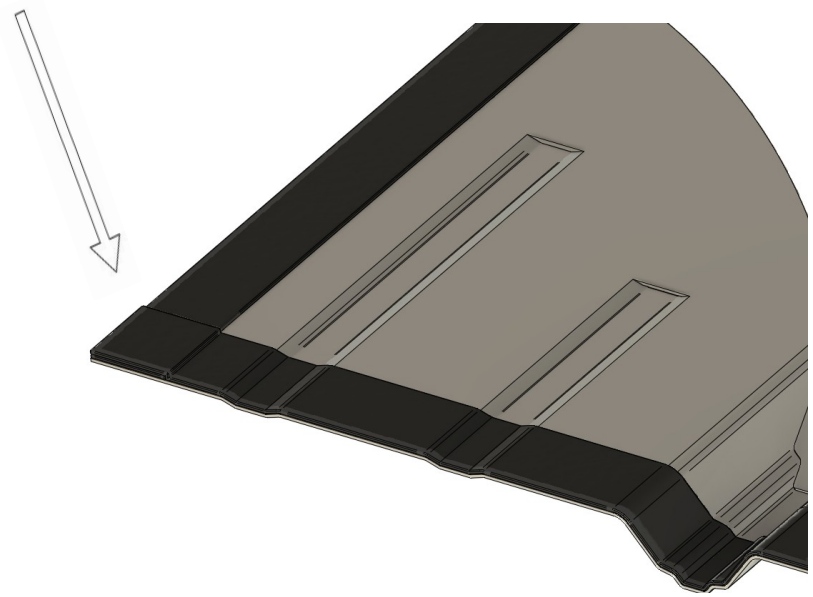
Visit us: [roofvents.com](http://roofvents.com) Email

03/26/2026

3



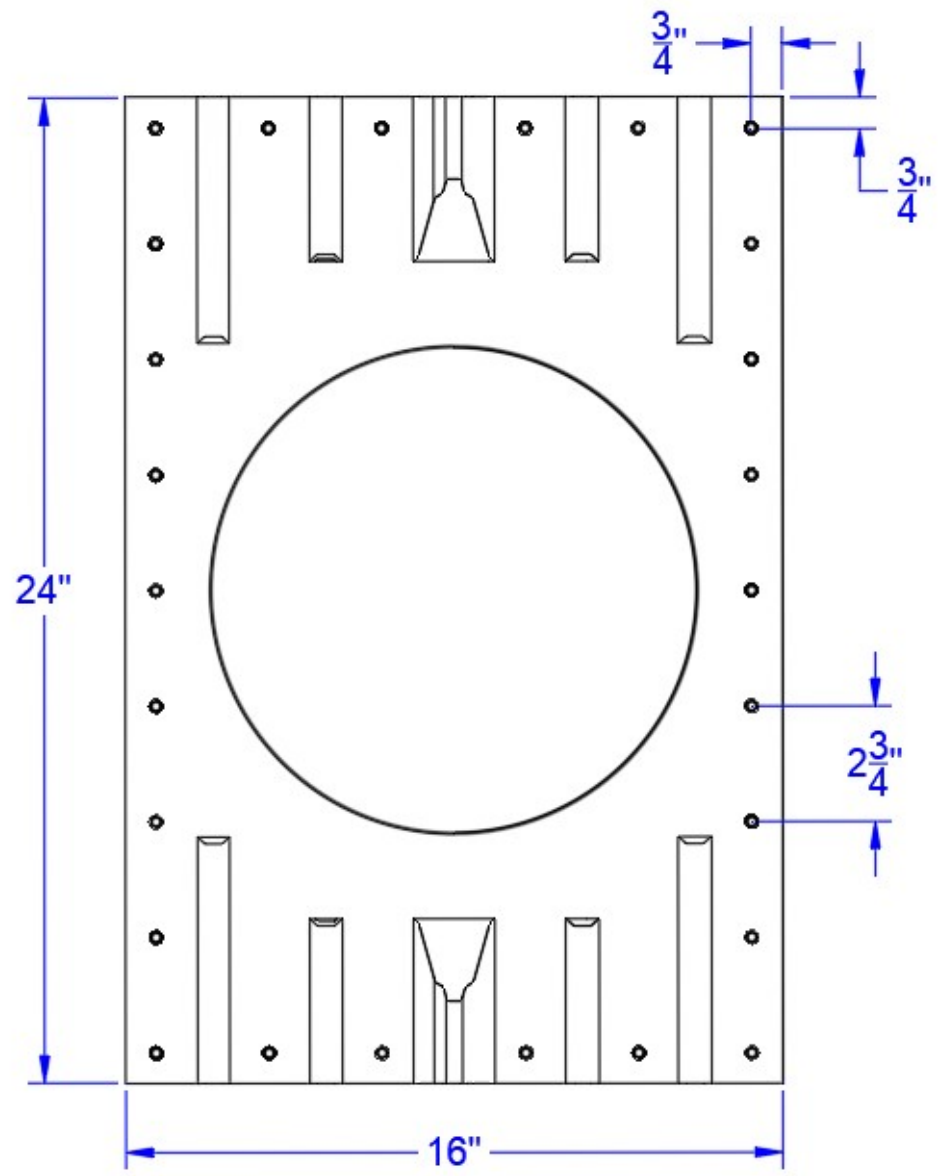
\*1" Butyl tape applied to all four sides with 1" minimum overlap on corners



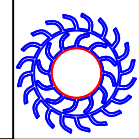
4

### 12" Round Back Roof Vent

Model: RBV-12-C4-SM-rib Diameter: 12" Collar Height: 4"



\*Screws are placed 3/4" from side edges of flange with approximately 2 3/4" spacing between each screw.



**Active Ventilation Products, Inc.**

Visit us: [roofvents.com](http://roofvents.com)

Email us: [sales@roofvents.com](mailto:sales@roofvents.com)

03/26/2026