



Round Back Vent for Metal Roofs

Model Number: RBV-12-C4-SM-Rib

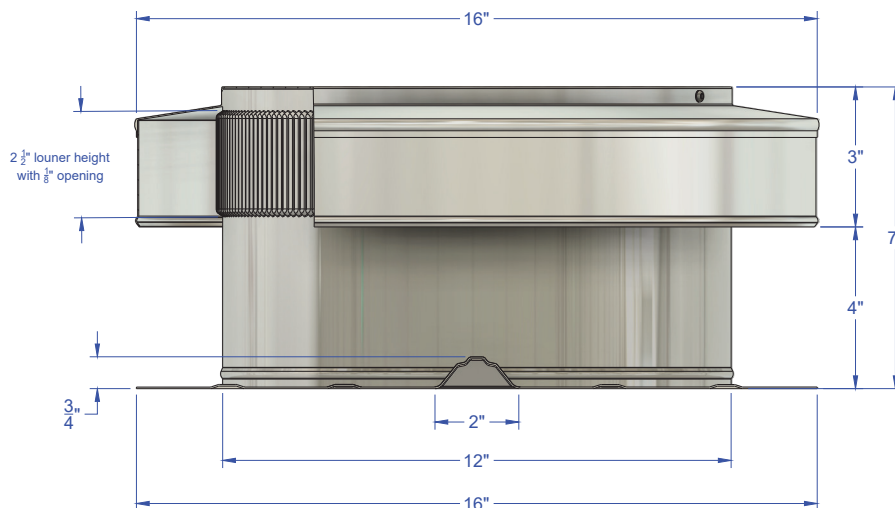


- Efficient year-round attic ventilation exhausts hot air in the summer and reduces moisture in the winter
- Designed to integrate seamlessly with R-Panel designs such as: **Tuff Rib, SM-Rib, Panel-Loc Plus, AG-Rib and Master Rib**
- Internal louvers block rain, snow, and wildlife intrusion
- Compatible with roof pitches of 2/12 or greater
- Available in five durable powder-coated colors

Available in Standard Colors:



Dimensions & Specifications



Pitch Capacity	
2/12	12/12
Net Free Vent Area	
113 sq. in.	0.78 sq. ft.
Application per Sq. Ft.	
235 1/150	470 1/300
Weight = 2.75 lbs	