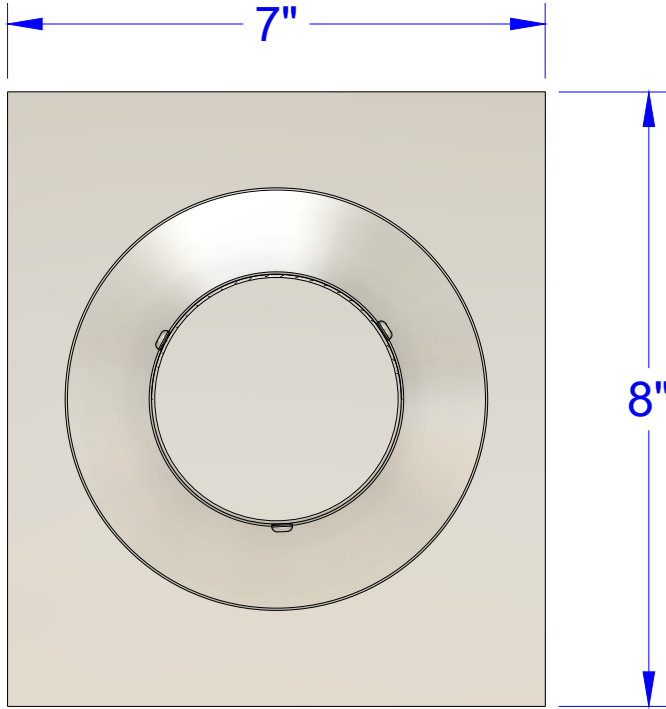
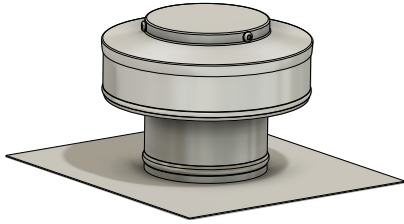
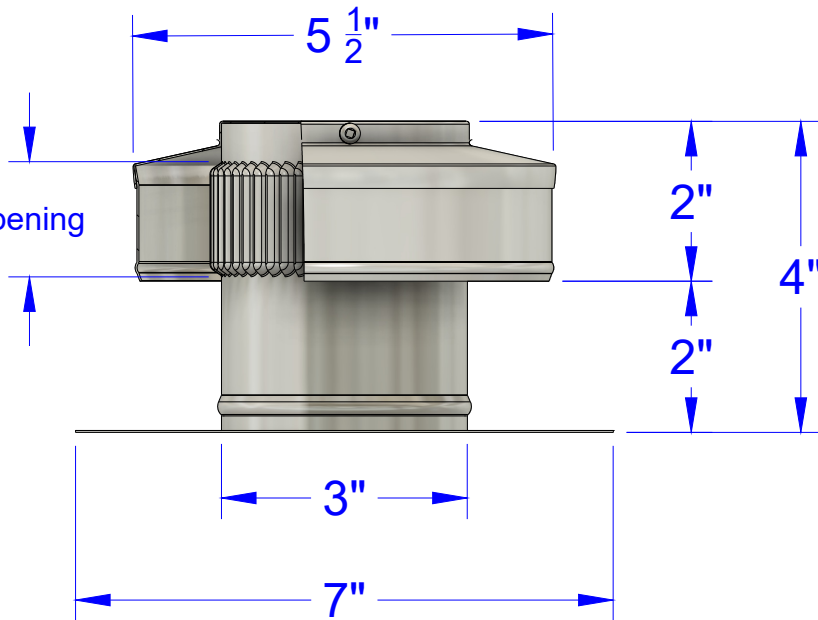


Angled View



Top View



Front View

All dimensions are in inches

Active Ventilation Products

Material Thickness:	.025 ± .005
Tolerance:	±.25 (1/4")
Scale:	Not to Scale

Drawn By:	Date:
R. Larsen	5/12/2026

Technical Drawing for
RBV-3-C2-SM-rib

