

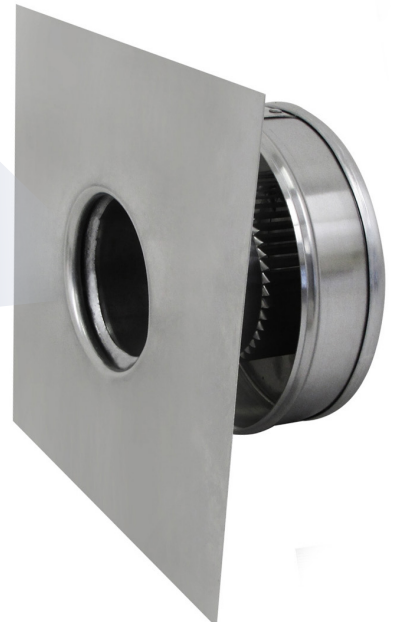
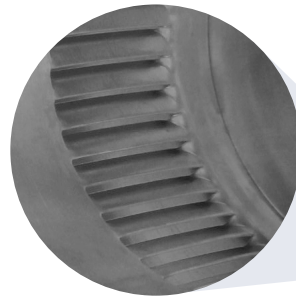


Round Back Vent

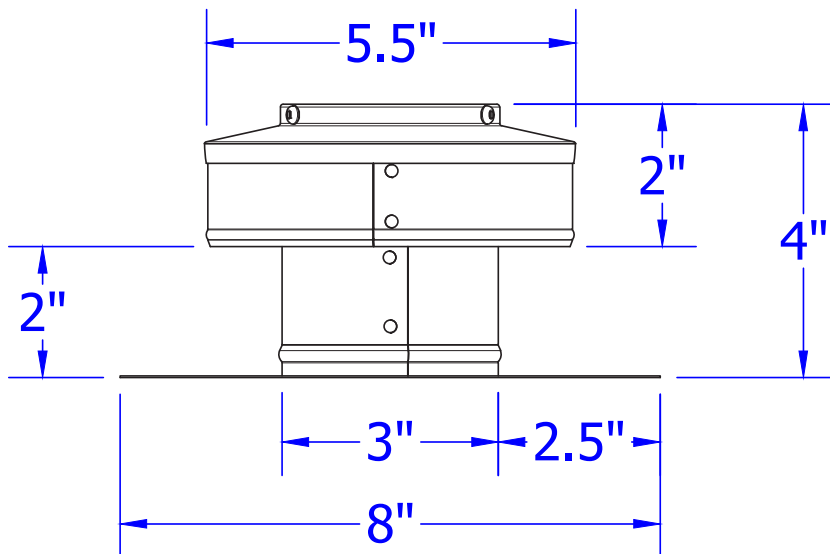
Model Number: **RBV-3-C2** | 3" Diameter 2" Tall Collar



- Removes hot air in the summer and moisture in the winter for year round attic ventilation
- Internal louvers block rain, snow, and wildlife intrusion
- Constructed of durable rust-free aluminum
- UL Listed (20170510-R38772), Intertek (105373987CRT-001b), Florida & Texas Approved (FL4763-R4), and Miami-Dade Approved (22-0722.08)
- Tested to withstand wind speeds of 200+ mph
- Available in five durable powder-coated colors



Dimensions & Specifications 7 Sq. in. NFA



| Pitch Capacity | |
|-------------------------|--------------|
| 3/12 Min. | 12/12 Max |
| Net Free Vent Area | |
| 7 sq. in. | 0.05 sq. ft. |
| Application per Sq. Ft. | |
| 15 1/150 | 30 1/300 |
| Weight = .37 lbs | |