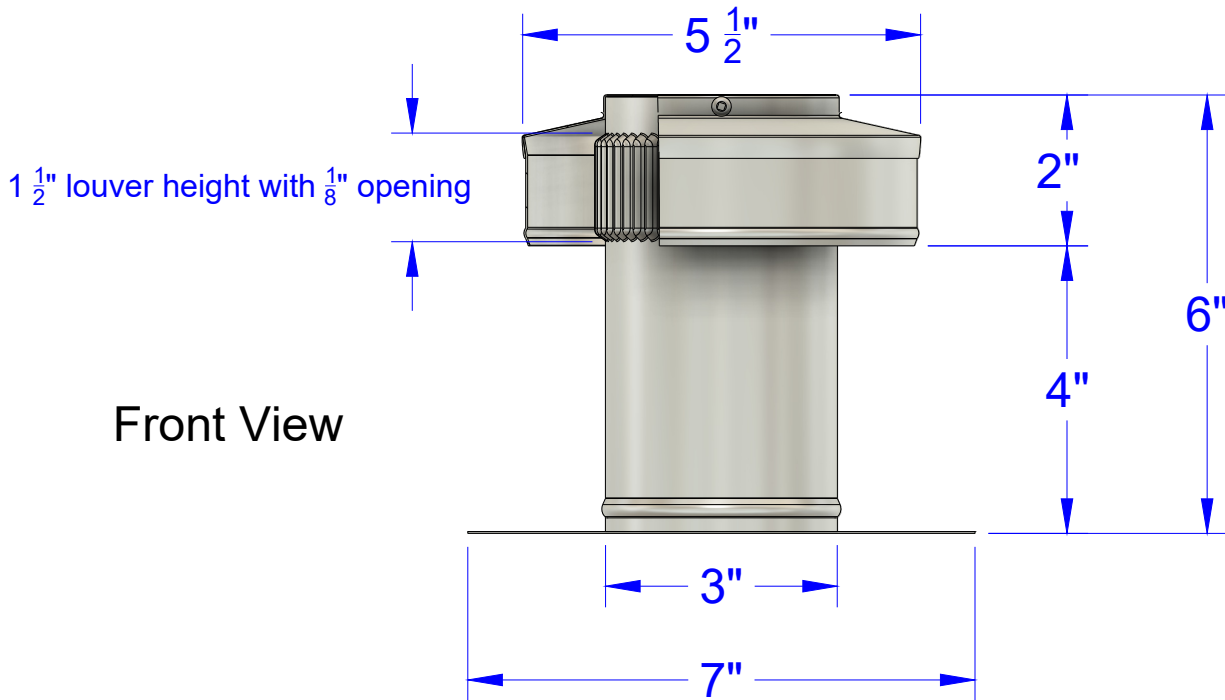
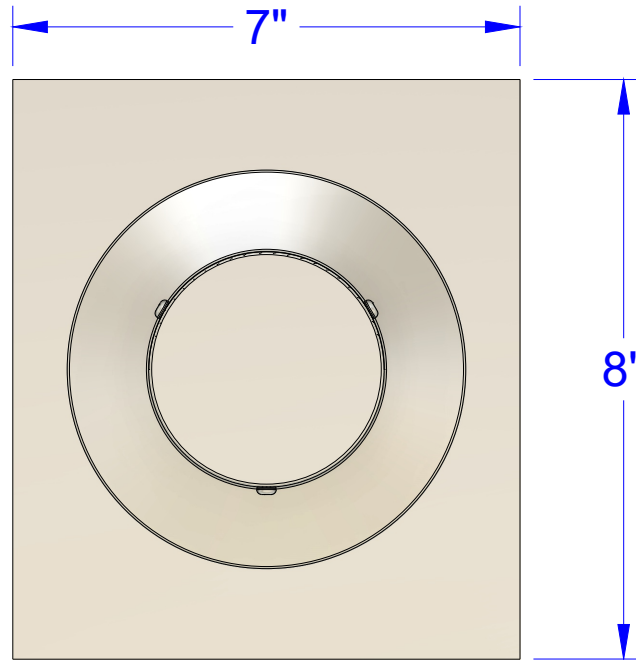
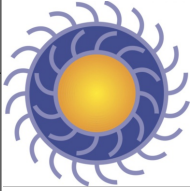


Angled View

Top View



Front View

All dimensions are in inches		Active Ventilation Products		
Material Thickness:	.025 ± .005	Drawn By:	Date:	
Tolerance:	±.25 (1/4")	R. Larsen	5/12/2026	
Scale:	Not to Scale	Technical Drawing for RBV-3-C4-SM-rib		