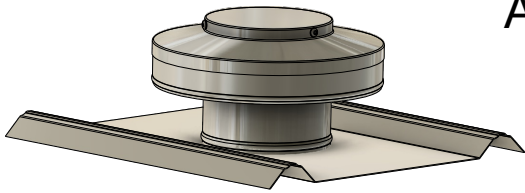
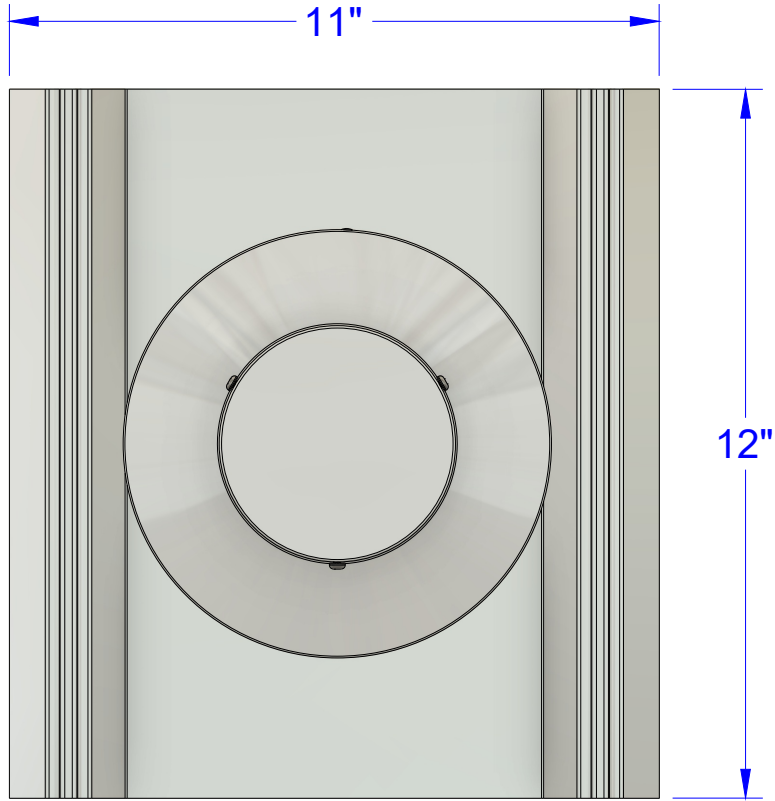


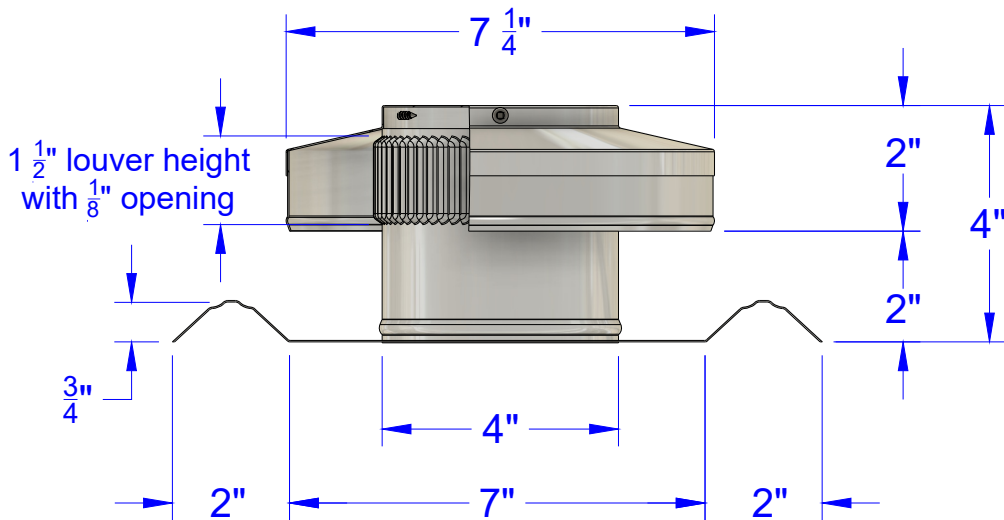
Angled View



Top View



Front View



All dimensions are in inches

Active Ventilation Products

Material Thickness: .025 ± .005

Drawn By: Date:

Technical Drawing for
RBV-4-C2-SM-rib

Tolerance: ±.25 (1/4")

R. Larsen 5/12/2026

Scale: Not to Scale

