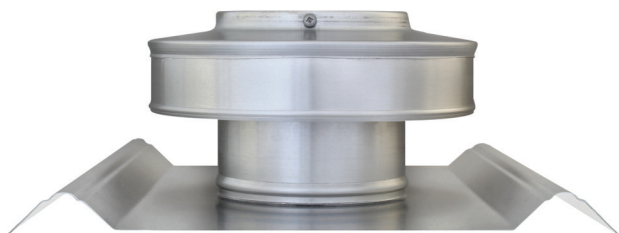


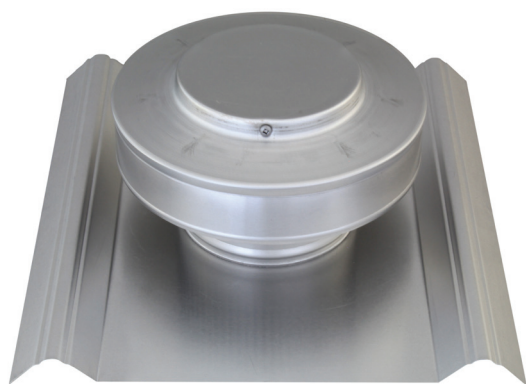
## Round Back Vent for Metal Roofs

**Model Number: RBV-4-C2-SM-rib**  
**4" Diameter | 2" Tall Collar**



PATENT PENDING

- Efficient year-round attic ventilation exhausts hot air in the summer and reduces moisture in the winter
- Designed to integrate seamlessly with R-Panel designs such as: **Tuff Rib, SM-Rib, Panel-Loc Plus, AG-Rib and Master Rib**
- Internal louvers block rain, snow, and wildlife intrusion
- Compatible with roof pitches of 2/12 or greater
- Available in five durable powder-coated colors



PLAIN  
BLACK

PLAIN  
WHITE

QUARTZ  
GREY  
WEATHER  
WOOD

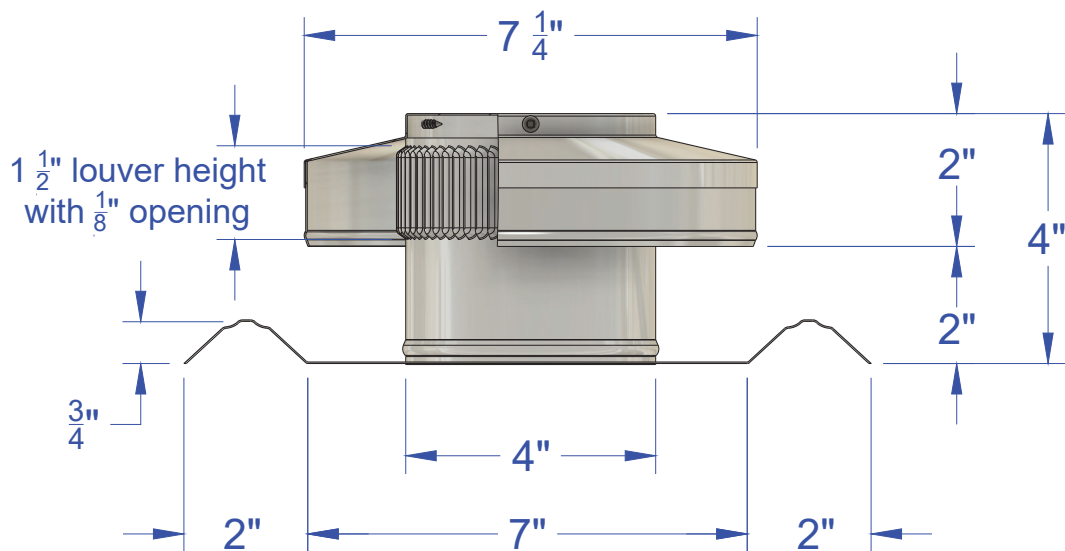
TERRA  
BROWN

PINE  
GREEN



*Louver design prevents insects and wildlife from entering*

## Dimensions & Specifications



Pitch Capacity	
3/12 Min.	12/12 Max.
Net Free Vent Area	
12 sq. in.	0.08 sq. ft.
Application per Sq. Ft.	
25 1/150	50 1/300
Weight = 0.4 lbs	