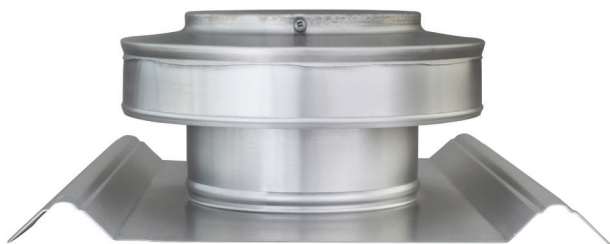


Round Back Vent for Metal Roofs

Model Number: RBV-5-C2-SM-rib
5" Diameter | 2" Tall Collar



PATENT PENDING

- Efficient year-round attic ventilation exhausts hot air in the summer and reduces moisture in the winter
- Designed to integrate seamlessly with R-Panel designs such as: **Tuff Rib, SM-Rib, Panel-Loc Plus, AG-Rib and Master Rib**
- Internal louvers block rain, snow, and wildlife intrusion
- Compatible with roof pitches of 2/12 or greater
- Available in five durable powder-coated colors



PLAIN
BLACK

PLAIN
WHITE

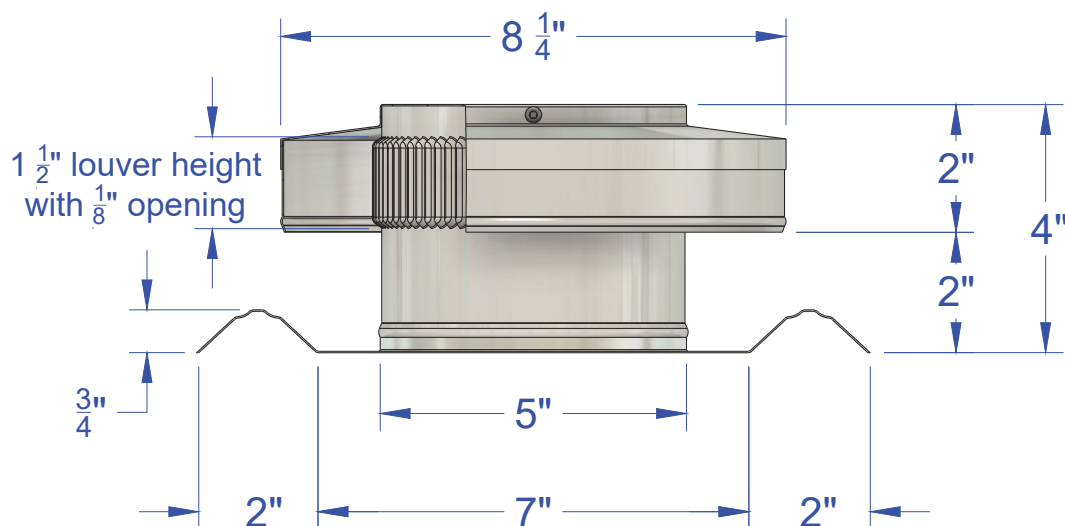
QUARTZ
GREY
WEATHER
WOOD

TERRA
BROWN

PINE
GREEN



Dimensions & Specifications



Louver design prevents insects and wildlife from entering

Pitch Capacity	
3/12 Min.	12/12 Max.
Net Free Vent Area	
19 sq. in.	0.13 sq. ft.
Application per Sq. Ft.	
39 1/150	79 1/300
Weight = 0.6 lbs	