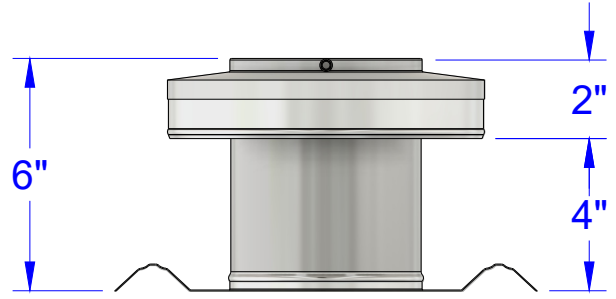
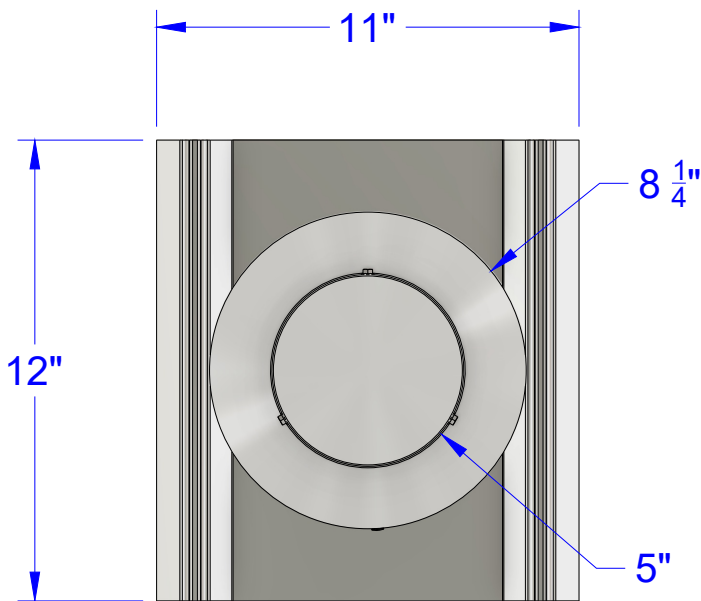


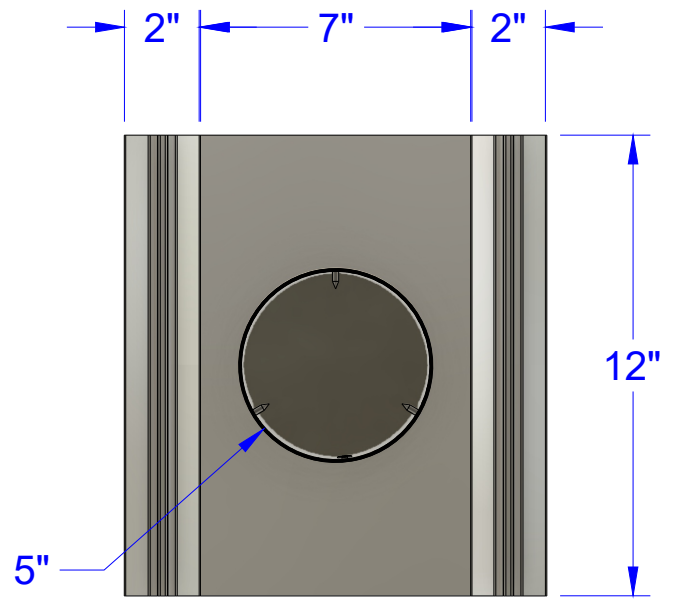
Angled View



Side View



Top View



Bottom View

All dimensions are in inches

Active Ventilation Products

Material Thickness: .025 ± .005

Drawn By: Date:

Technical Drawing for

Tolerance: ±.25 (1/4")

R. Larsen 4/22/2026

RBV-5-C4-SM-rib

Scale: Not to Scale

