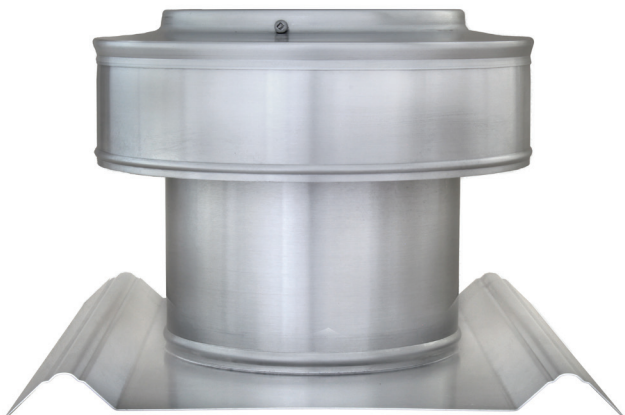
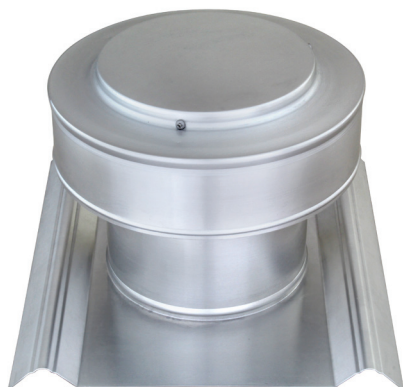


Round Back Vent for Metal Roofs

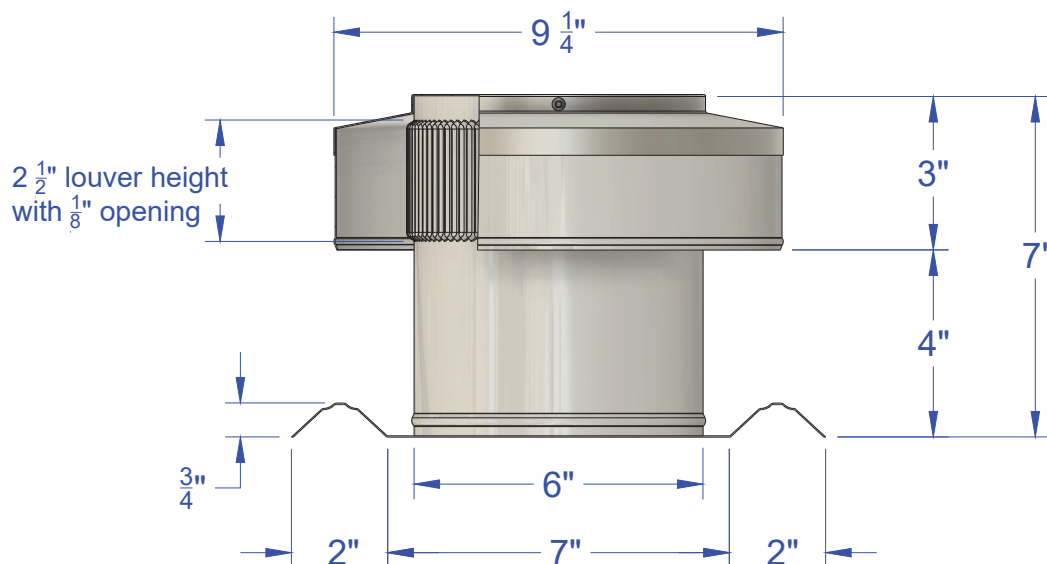
Model Number: RBV-6-C4-SM-rib
6" Diameter | 4" Tall Collar



- Efficient year-round attic ventilation exhausts hot air in the summer and reduces moisture in the winter
- Designed to integrate seamlessly with R-Panel designs such as: **Tuff Rib, SM-Rib, Panel-Loc Plus, AG-Rib and Master Rib**
- Internal louvers block rain, snow, and wildlife intrusion
- Compatible with roof pitches of 2/12 or greater
- Available in five durable powder-coated colors



Dimensions & Specifications



Louver design prevents insects and wildlife from entering

| Pitch Capacity | |
|-------------------------|--------------|
| 2/12 Min. | 12/12 Max. |
| Net Free Vent Area | |
| 28 sq. in. | 0.19 sq. ft. |
| Application per Sq. Ft. | |
| 58 1/150 | 108 1/300 |
| Weight = 0.8 lbs | |