

## Tail Pipe Installation With Roof Vent

### Step 1:

Turn the vent upside down and make a cardboard template from the flange. The template should be the same size as the flange with the hole in the middle.



### Step 2:

Using the template, trace the square and circle onto the roof as shown.



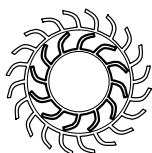
### Step 3:

Remove cardboard template to show the square and circle pattern.



### Step 4:

Using a reciprocating saw cut out a hole in the roof deck and remove all debris.



## Active Ventilation Products, Inc.

311 First Street, Newburgh, NY 12550-4857

800-ROOF VENT (766-3836) Ph: 845-565-7770 Fax: 845-562-8963

Website: [roofvents.com](http://roofvents.com) Email: [sales@roofvents.com](mailto:sales@roofvents.com)

5778-10



## Tail Pipe Installation With Roof Vent

### Step 5:

Once the hole is cut reach in the attic and pull up the Duct through the hole.



### Step 6:

Insert the bottom of the Tail Pipe to the Flex Duct.



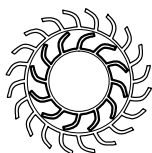
### Step 7:

Using a Zip Tie secure the Flex Duct to the Tail Pipe.



### Step 8:

Put roofing sealant on the underside along the bottom edge of flange as shown.



## Active Ventilation Products, Inc.

311 First Street, Newburgh, NY 12550-4857

800-ROOF VENT (766-3836) Ph: 845-565-7770 Fax: 845-562-8963

Website: [roofvents.com](http://roofvents.com) Email: [sales@roofvents.com](mailto:sales@roofvents.com)

5778-10



## Tail Pipe Installation With Roof Vent

### Step 9:

Push the Flex Duct back into the attic, then lift shingles to insert flange underneath.



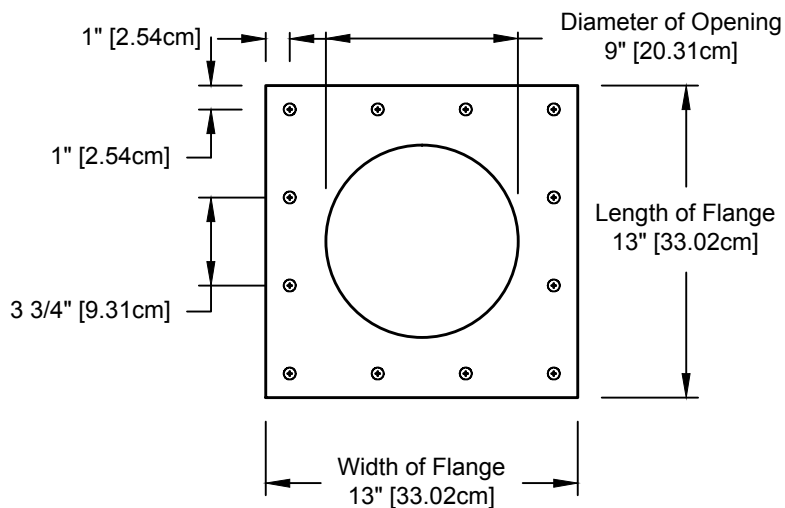
### Step 10:

With the vent in place secure the flange to the shingle roof using a screw gun or drill.



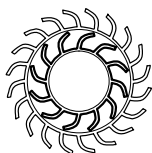
### 10A:

Required screw: #10 x 1.5" steel sheet metal screw. Total number of screws required = 12



### Step 11:

This is how the Round Back Vent should look when finished.



## Active Ventilation Products, Inc.

311 First Street, Newburgh, NY 12550-4857

800-ROOF VENT (766-3836) Ph: 845-565-7770 Fax: 845-562-8963

Website: [roofvents.com](http://roofvents.com) Email: [sales@roofvents.com](mailto:sales@roofvents.com)

5778-10