



Active Ventilation Products, Inc.

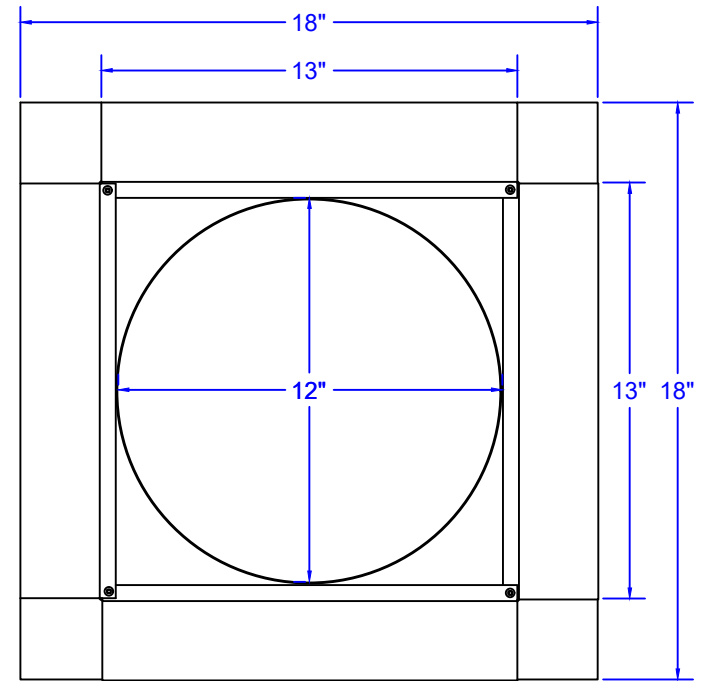
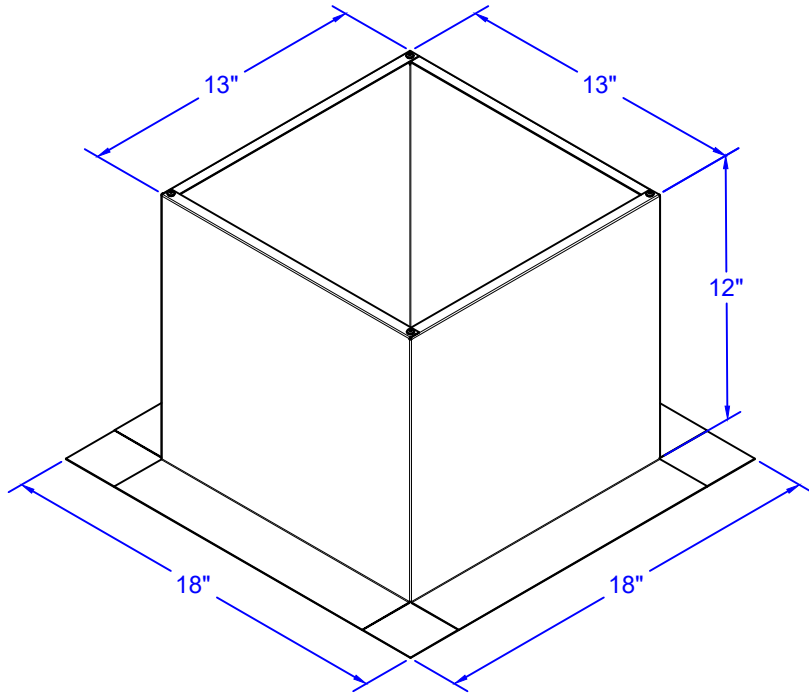
Website: roofvents.com

Email: sales@roofvents.com

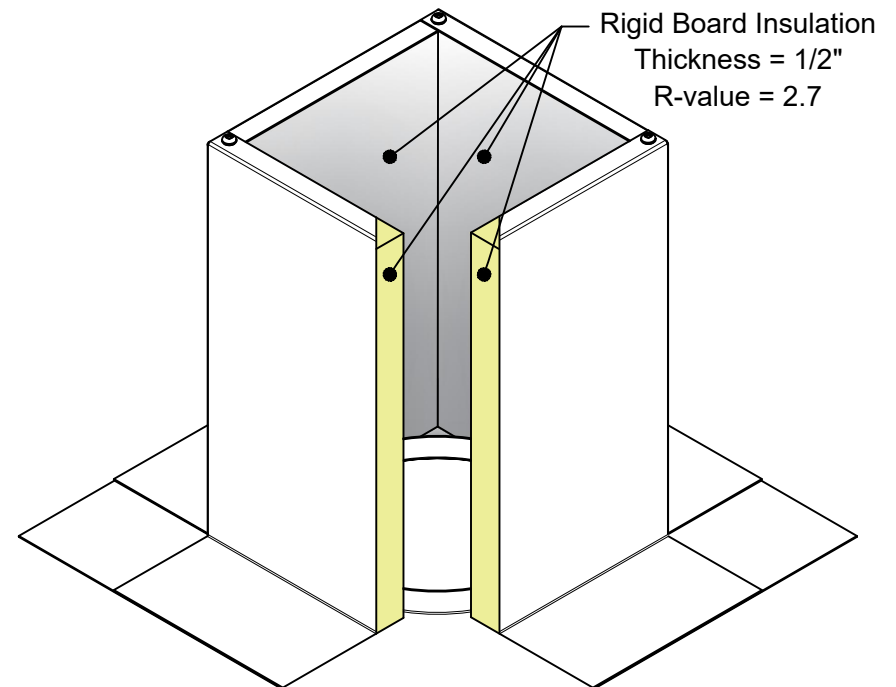
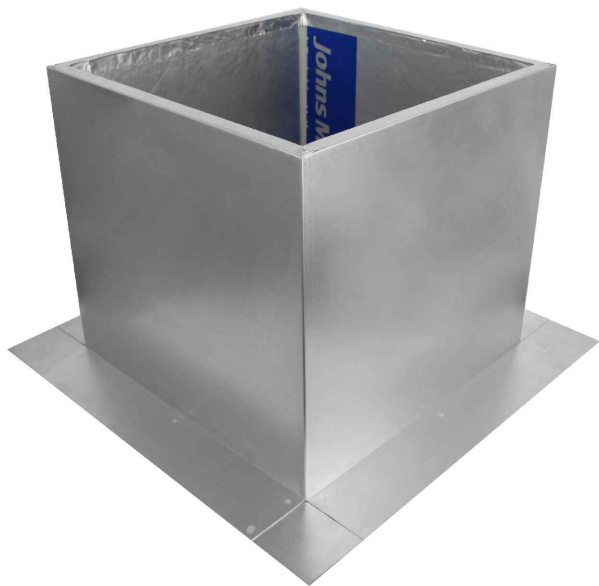
Specification Sheet

11/16/2022

Insulated Roof Curb Model: RC-10-H12-Ins ID: 12" OD: 13"



- Aluminum Alloy 3003-H14
- Thickness = 0.025" ± 0.005
- Tolerance = ± .25 (1/4")



Model is Not to Scale