



Roof Curb

Model Number: RC-10-H6

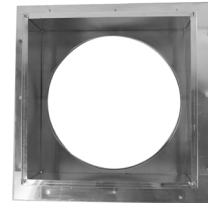
Inside Throat Diameter: 12" | Outside Length & Width: 13" | Height: 6"



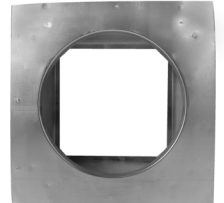
- A metal roof curb for roof vents or attic fans
- Preassembled to reduce installation time
- Used on EPDM, PVC and TPO roofs
- Aluminum Alloy 3003-H14, thickness 0.025" (± 0.005 ")
- Lighter and more versatile than wooden roof curbs
- Allows for easy access to the attic or plenum below
- 6" tall, 13" wide, 13" long, and 12" diameter throat in base
- 5 year warranty



Side

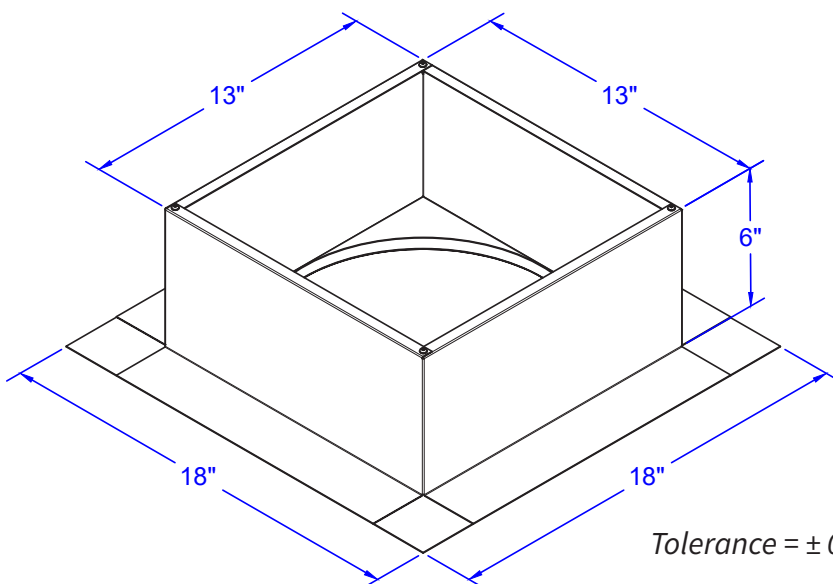


Top View



Bottom View

Dimensions & Specifications



Tolerance = ± 0.25 "

