



# Active Ventilation Products, Inc.

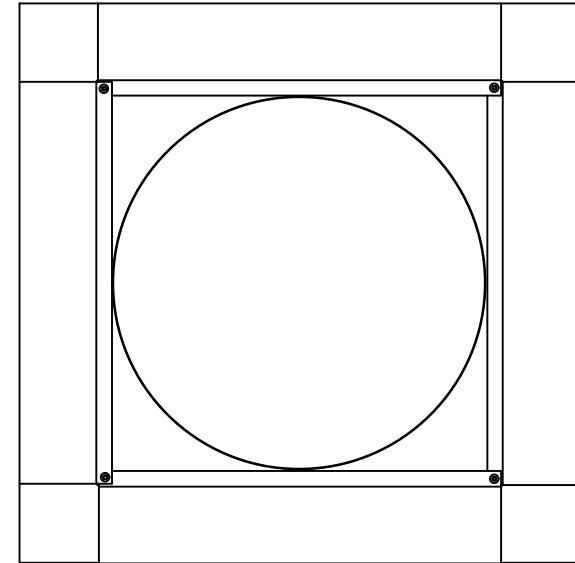
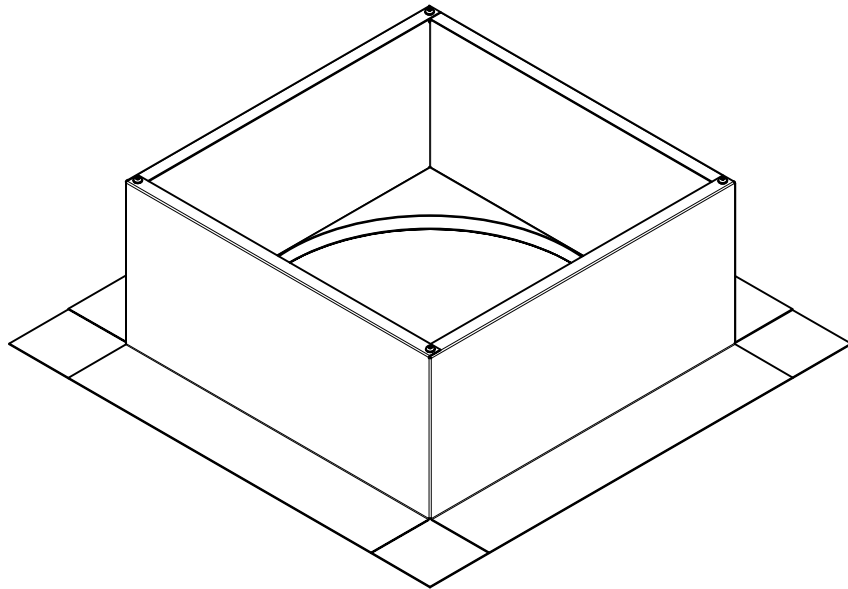
Website: [roofvents.com](http://roofvents.com)

Email: [sales@roofvents.com](mailto:sales@roofvents.com)

# Specification Sheet

1/1/2023

Roof Curb Model: RC-10-H6 ID: 12" OD: 13"



- Aluminum Alloy 3003-H14
- Thickness =  $0.025" \pm 0.005$
- Tolerance =  $\pm .25$  (  $\frac{1}{4}"$  )

