



Active Ventilation Products, Inc.

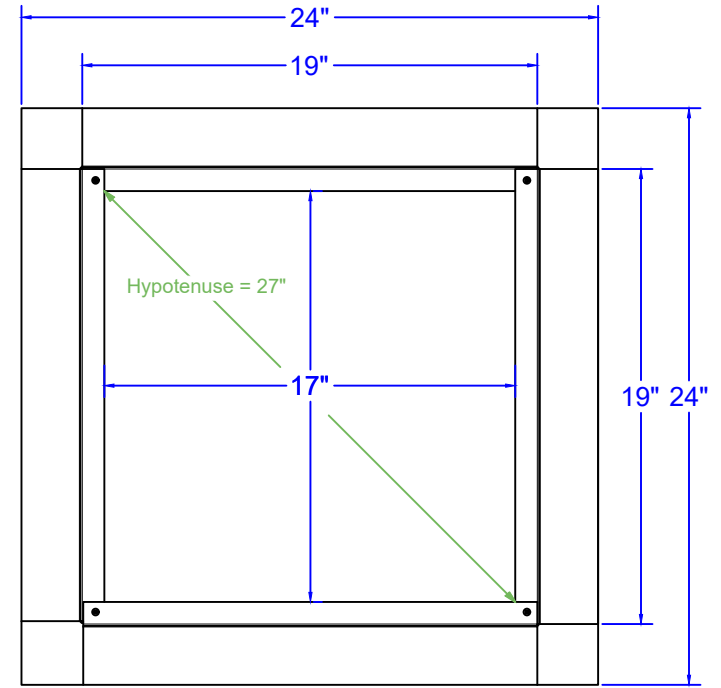
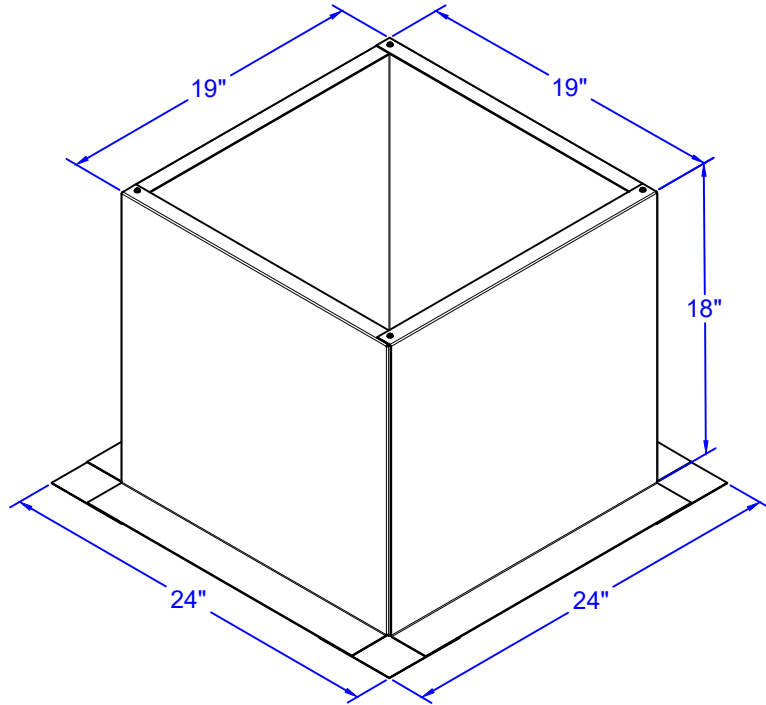
Website: roofvents.com

Email: sales@roofvents.com

Specification Sheet

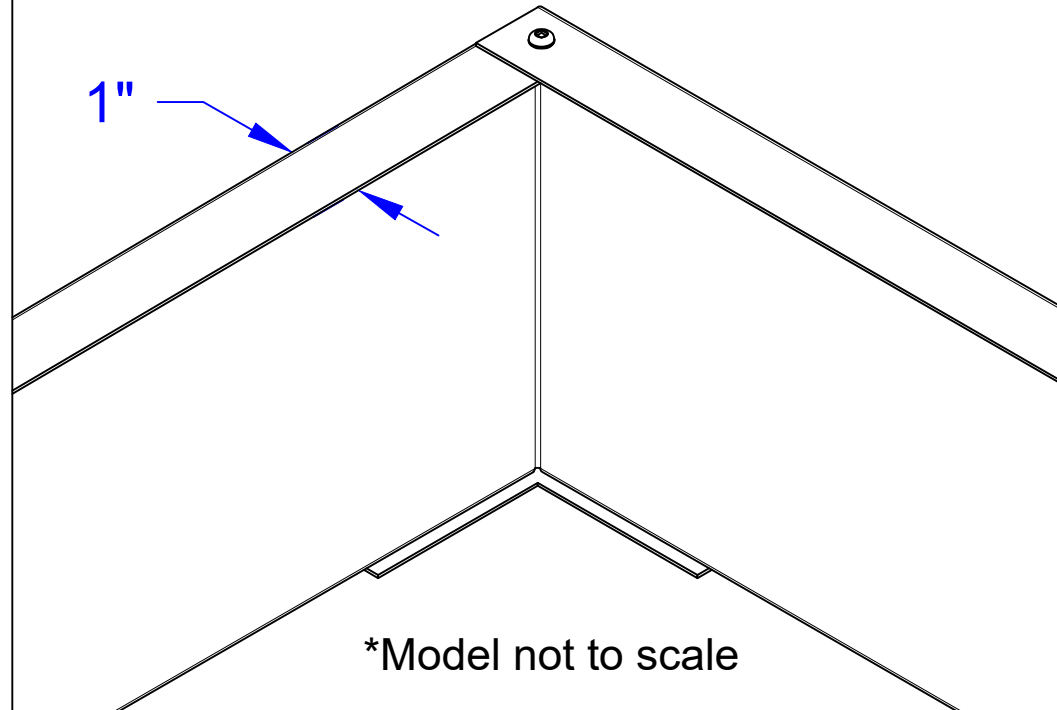
1/1/2023

Roof Curb Model: RC-16-H18 ID: 17" OD: 19"



Hypotenuse = 27"

- Aluminum Alloy 3003-H14
- Thickness = 0.040" ± 0.005
- Tolerance = ± .25 (1/4")



1"

*Model not to scale