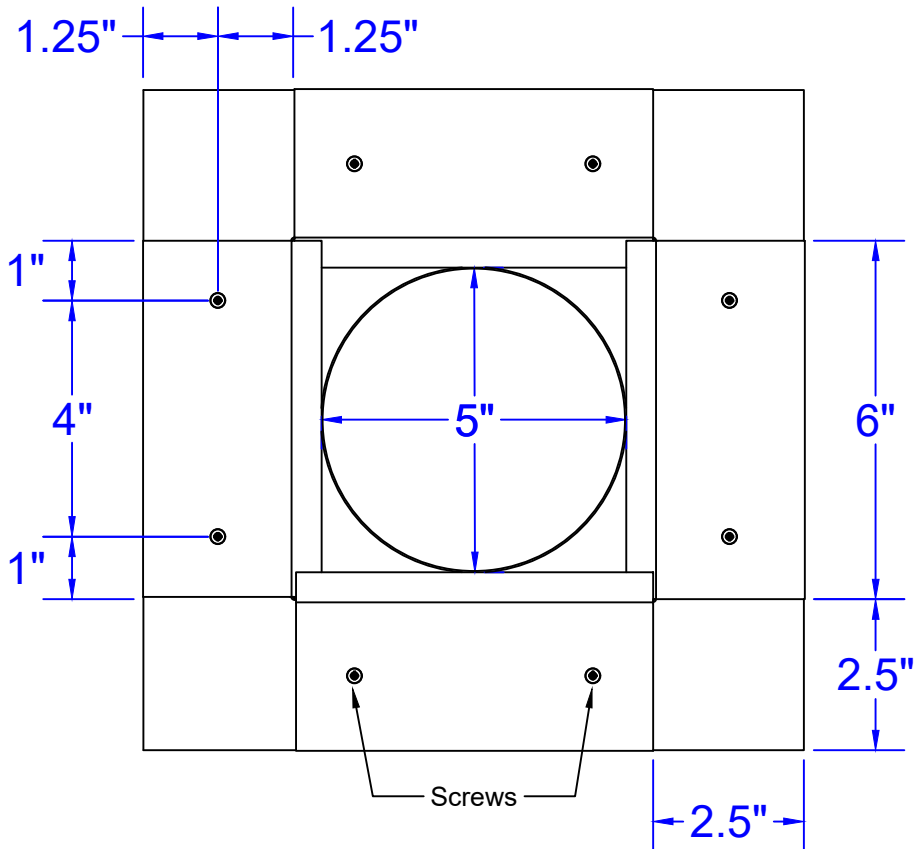
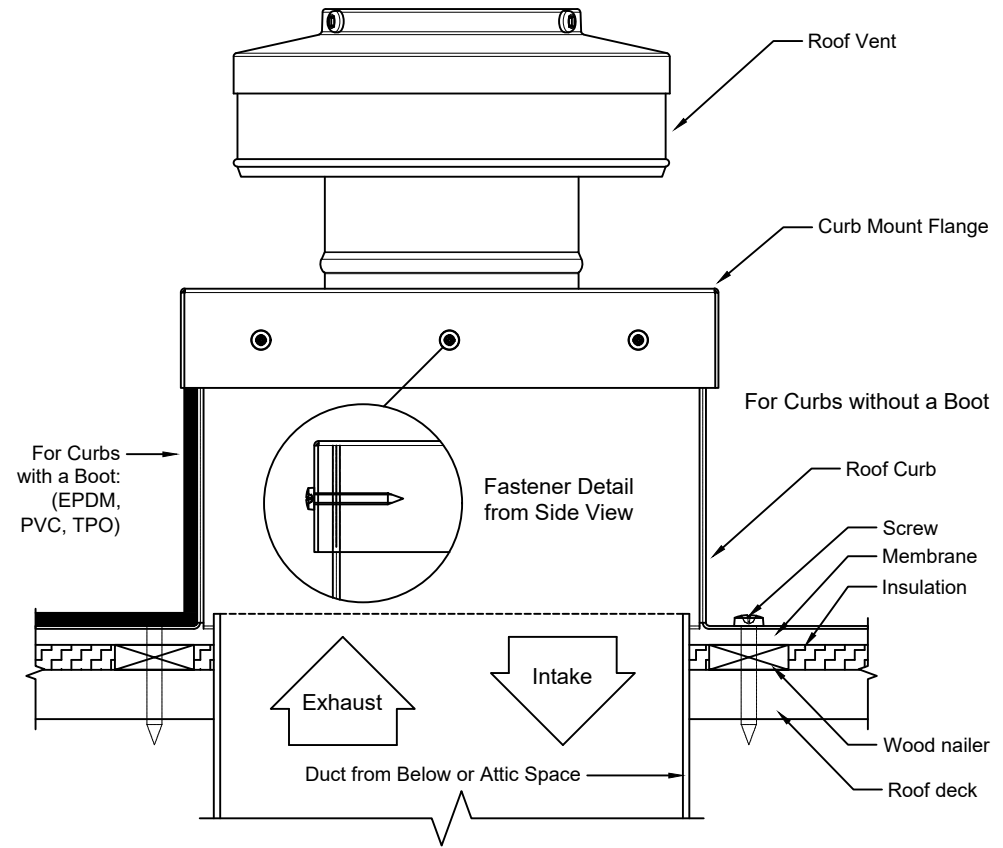


## Screw Pattern (Symmetrical for all Sides)



## Roof Curb Flashing Detail



- Aluminum Alloy 3003-H14
- Thickness = 0.025" ± 0.005
- Tolerance = ± .25 (1/4")



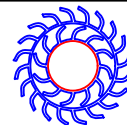
Angled View

## Roof Curb Installation Instructions

1. Cut a round hole 5" in diameter in the roof deck.
2. Total number of screws needed for flange = 8
3. *Recommended installation screw: Flat, Bugle or Wafer Head #10 x 1 1/2" Sheet Metal Screw, Type A Point*
4. Flash roof curb onto deck according to specifications of the membrane manufacturer.
5. Screws not included.

### Roof Curb Model: RC-3-H12

Inside Opening: 5", Outside Length & Width: 6", Height: 12"



Active Ventilation Products, Inc.

Website: [roofvents.com](http://roofvents.com)

Email: [sales@roofvents.com](mailto:sales@roofvents.com)

11/7/2023