

Active Ventilation Products, Inc.

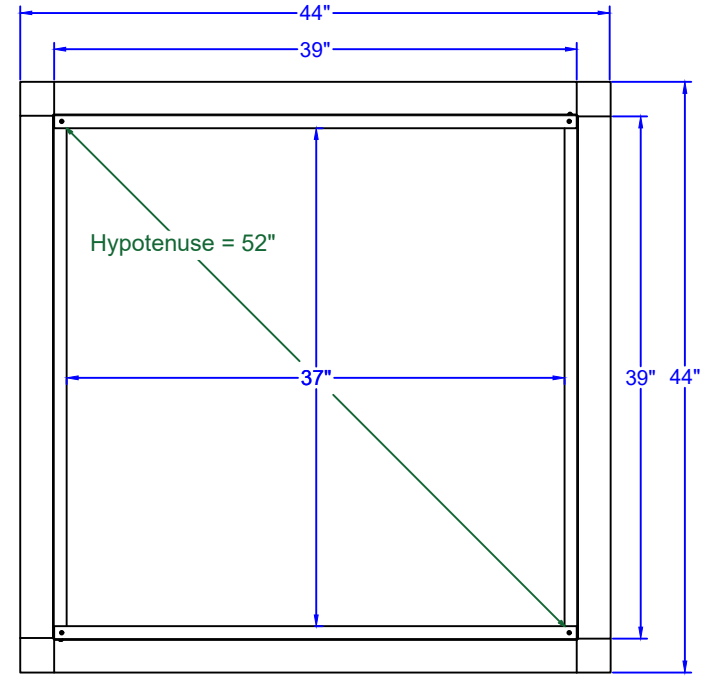
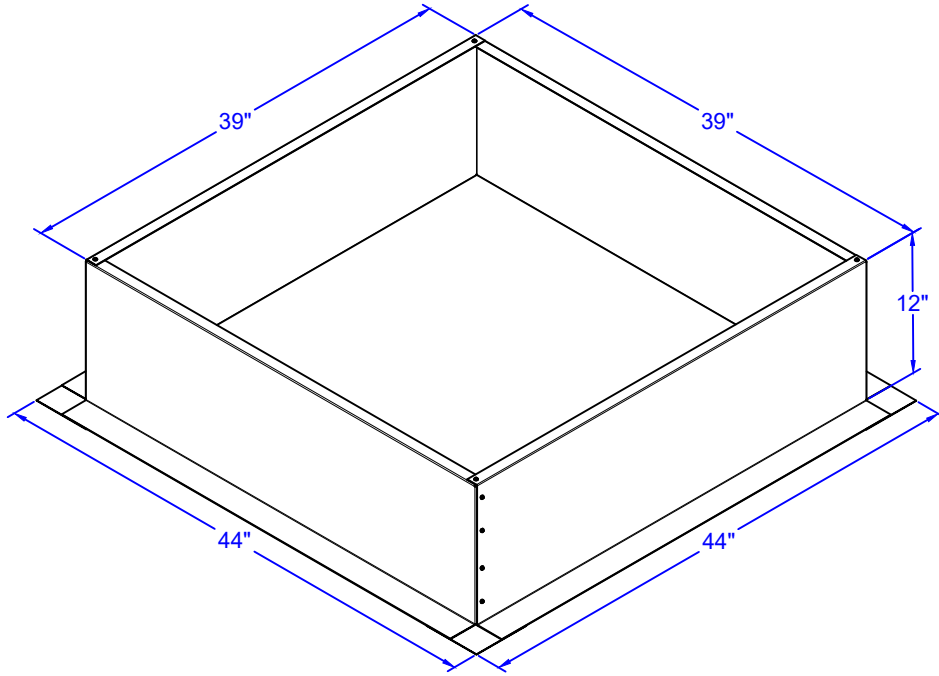
Website: roofvents.com

Email: sales@roofvents.com

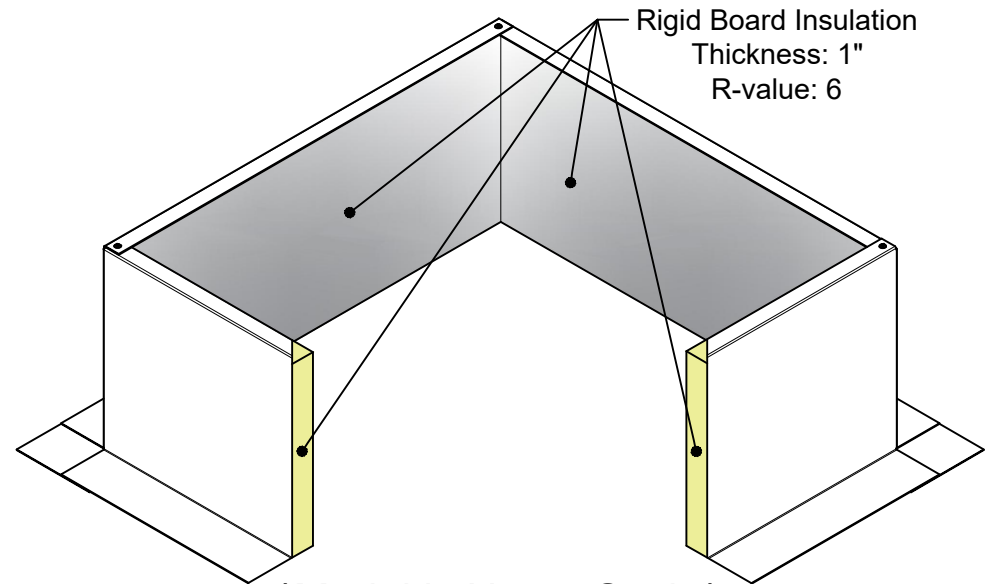
Specification Sheet

1/1/2023

Insulated Roof Curb Model: RC-36-H12-Ins ID: 37" OD: 39"



- Aluminum Alloy 3003-H14
- Thickness = 0.040" ± 0.005
- Tolerance = ± .25 (1/4")



Rigid Board Insulation
Thickness: 1"
R-value: 6

Model is Not to Scale