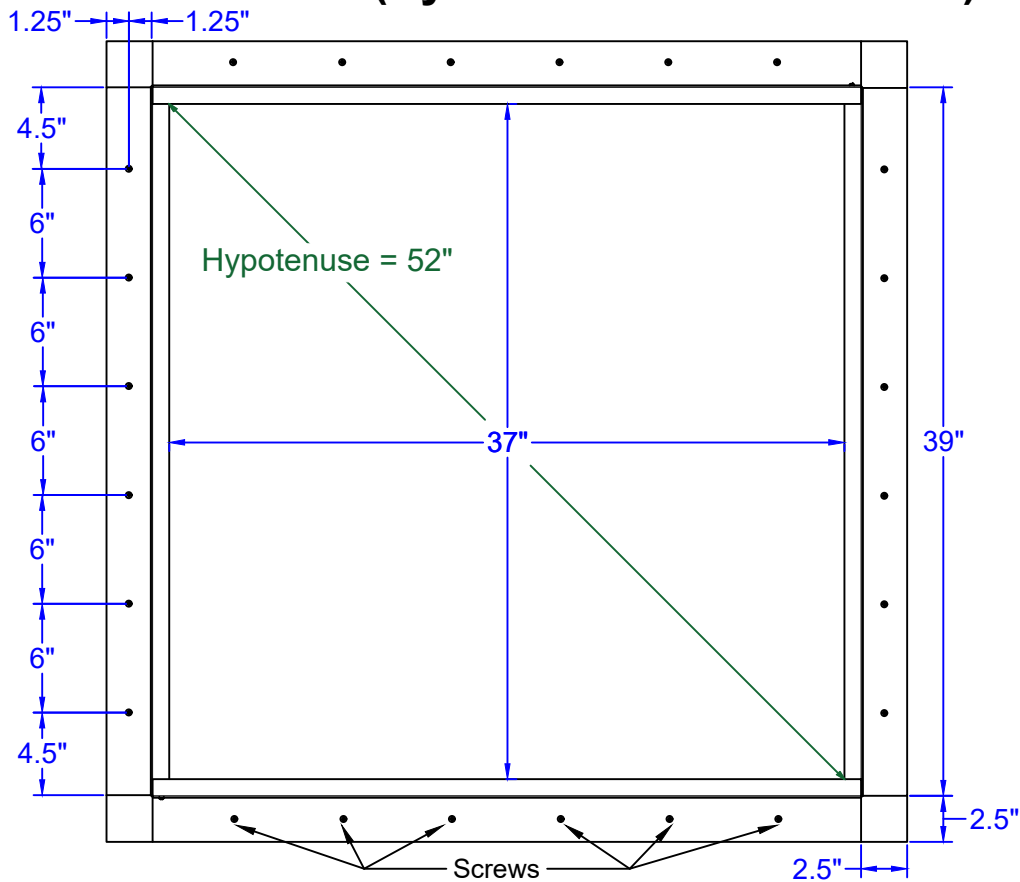
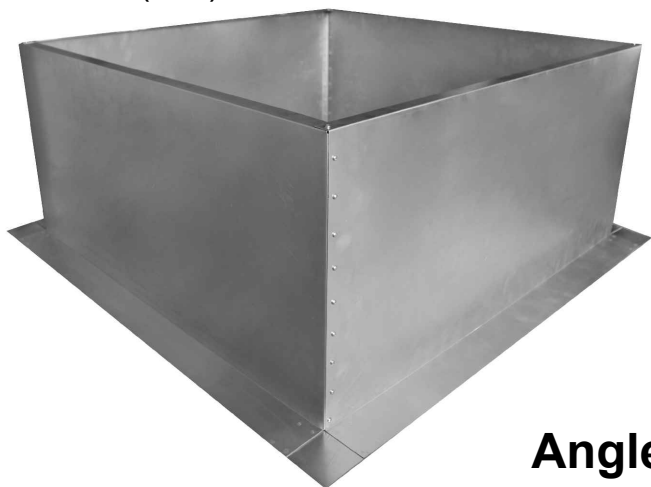


## Screw Pattern (Symmetrical for all sides)

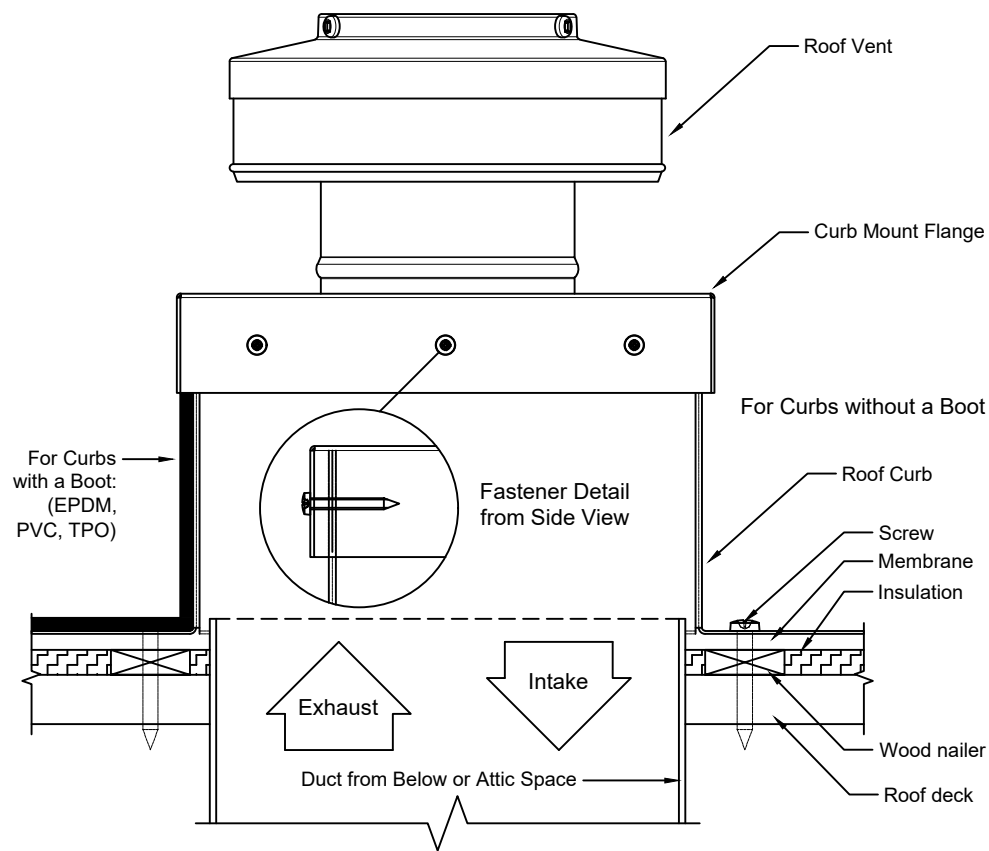


- Aluminum Alloy 3003-H14
- Thickness = 0.040" ± 0.005
- Tolerance = ± .25 ( 1/4 )



Angled View

## Roof Curb Flashing Detail

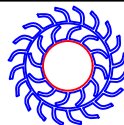


## Roof Curb Installation Instructions

1. Cut a square or round hole 37" in diameter in the roof deck.
2. Total number of screws needed for flange = 24
3. *Recommended installation screw: Flat, Bugle or Wafer Head #10 x 1 1/2" Sheet Metal Screw, Type A Point*
4. Flash roof curb onto deck according to specifications of the membrane manufacturer.
5. Screws not included.

### Roof Curb Model: RC-36-H18

Inside Opening: 37", Outside Length & Width: 39", Height: 18"



Active Ventilation Products, Inc.

Website: [roofvents.com](http://roofvents.com)

Email: [sales@roofvents.com](mailto:sales@roofvents.com)

11/17/2023