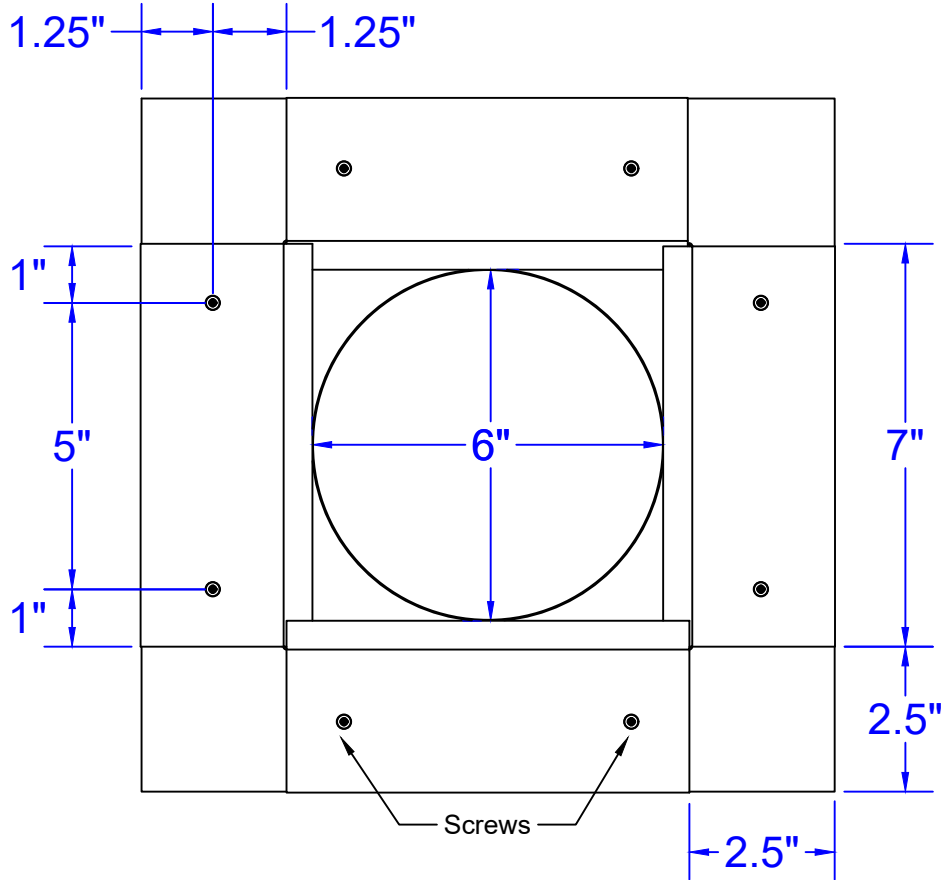
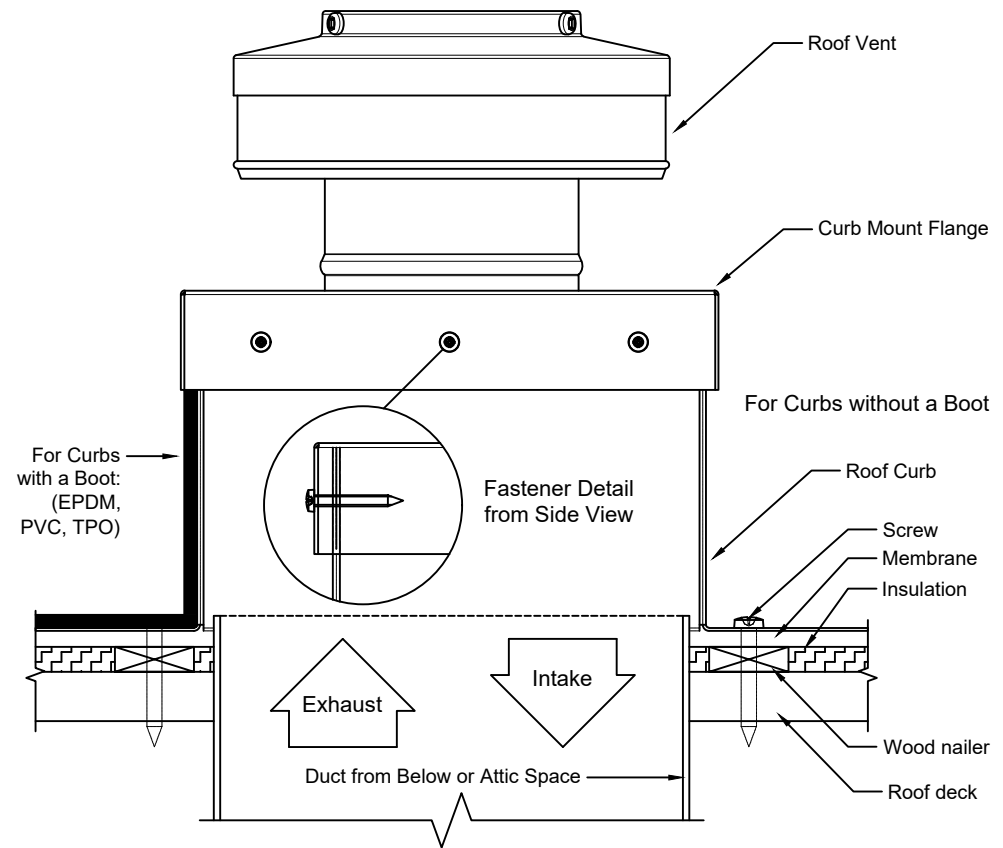


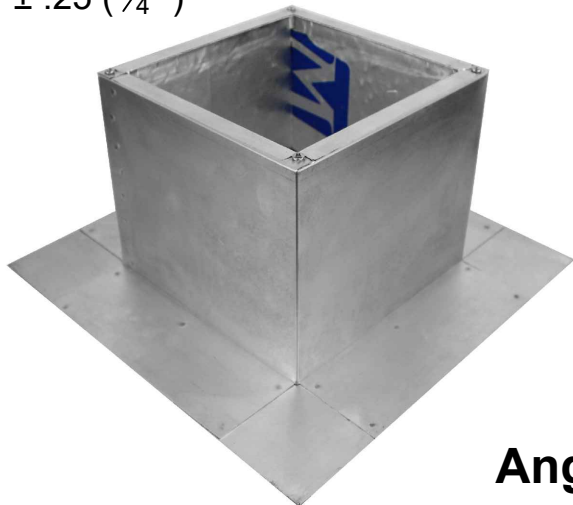
Screw Pattern (Symmetrical for all sides)



Roof Curb Flashing Detail



- Aluminum Alloy 3003-H14
- Thickness = $0.025" \pm 0.005$
- Tolerance = $\pm .25$ ($\frac{1}{4}"$)



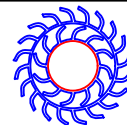
Angled View

Roof Curb Installation Instructions

1. Cut a round hole 6" in diameter in the roof deck.
2. Total number of screws needed for flange = 8
3. *Recommended installation screw: Flat, Bugle or Wafer Head #10 x 1 1/2" Sheet Metal Screw, Type A Point*
4. Flash roof curb onto deck according to specifications of the membrane manufacturer.
5. Screws not included.

Insulated Roof Curb Model: RC-4-H6-Ins

Inside Opening: 6", Outside Length & Width: 7", Height: 6"



Active Ventilation Products, Inc.

Website: roofvents.com

Email: sales@roofvents.com

11/8/2023