

Active Ventilation Products, Inc.

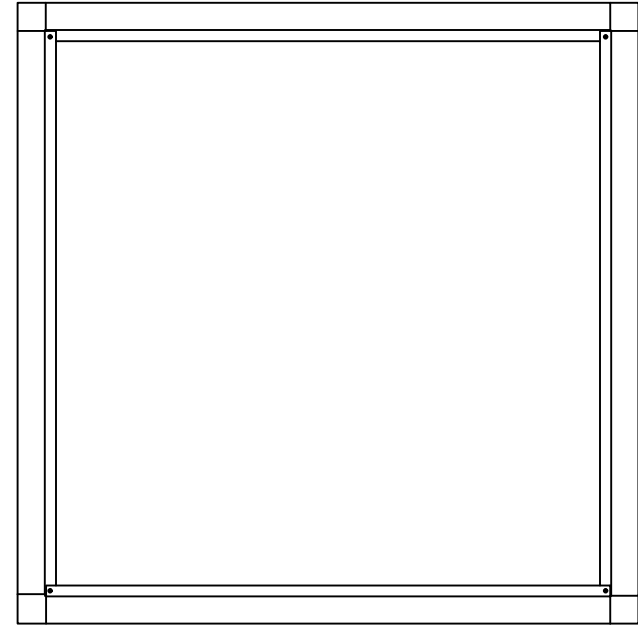
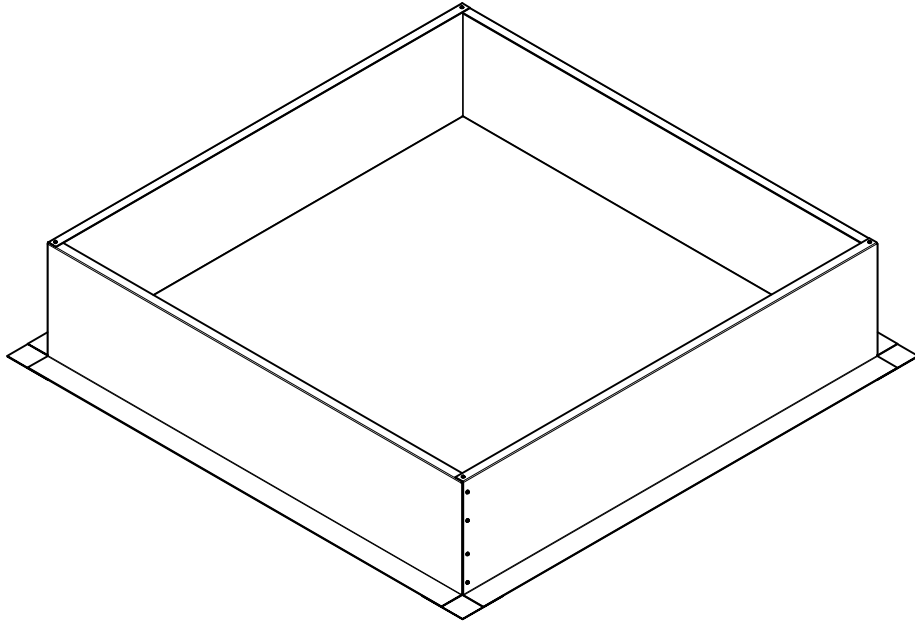
Website: roofvents.com

Email: sales@roofvents.com

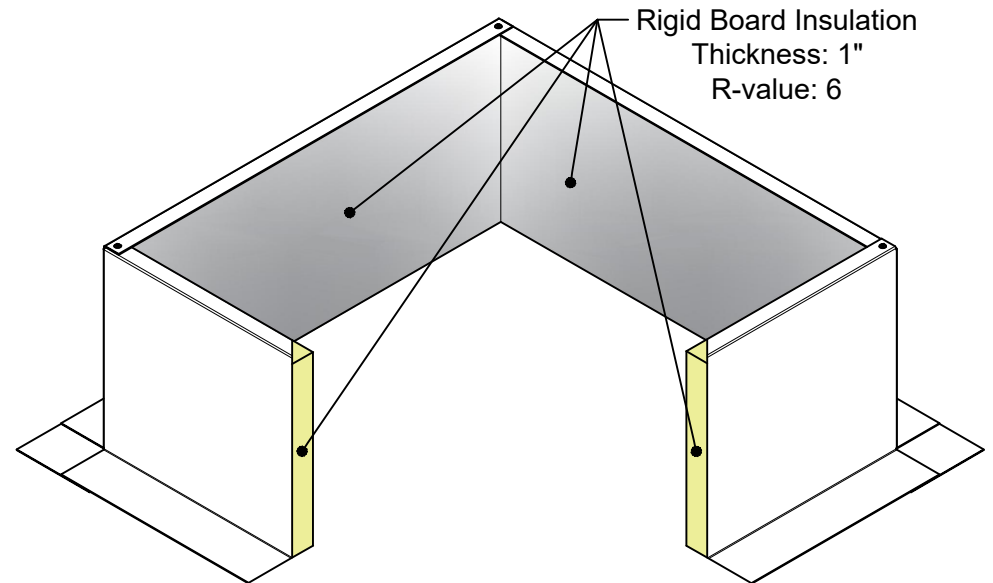
Specification Sheet

1/1/2023

Insulated Roof Curb Model: RC-48-H12-Ins ID: 49" OD: 51"



- Aluminum Alloy 3003-H14
- Thickness = $0.040" \pm 0.005$
- Tolerance = $\pm .25$ ($\frac{1}{4}"$)



Model is Not to Scale