

Active Ventilation Products, Inc.

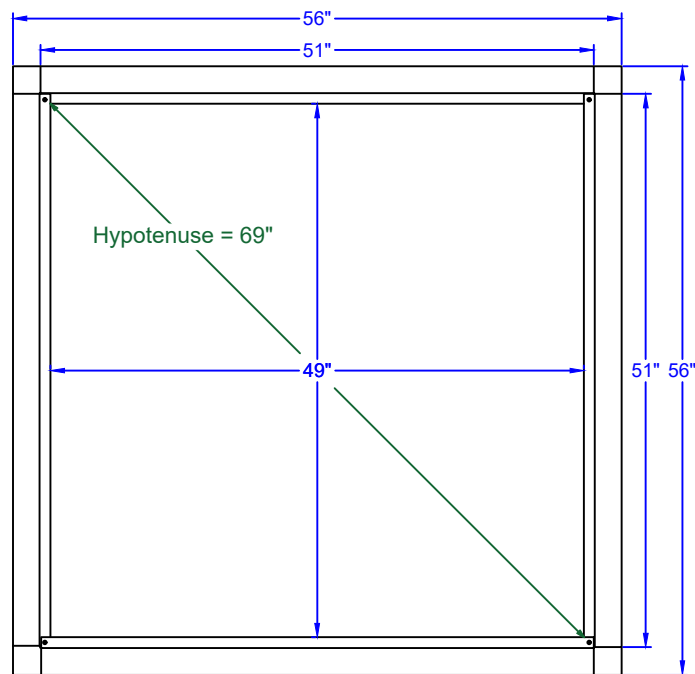
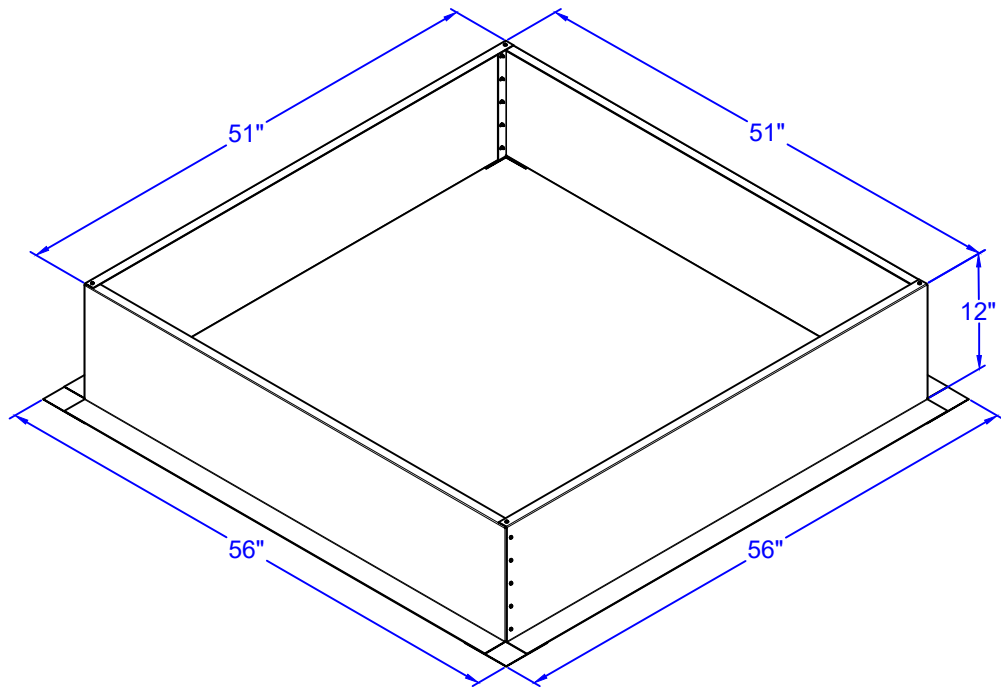
Website: roofvents.com

Email: sales@roofvents.com

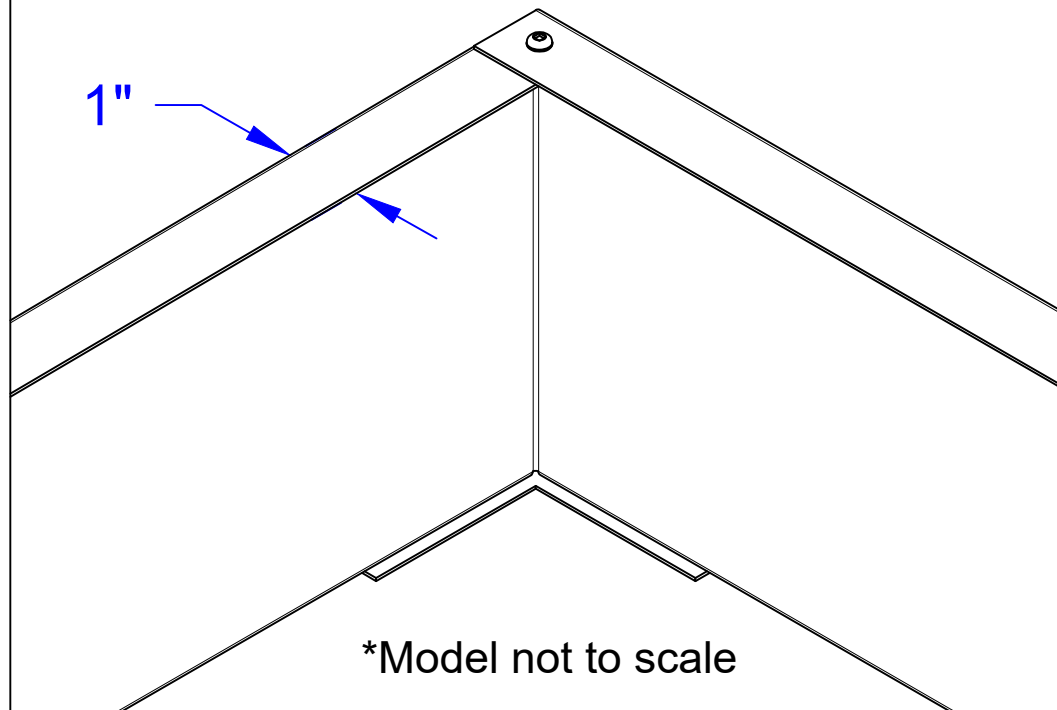
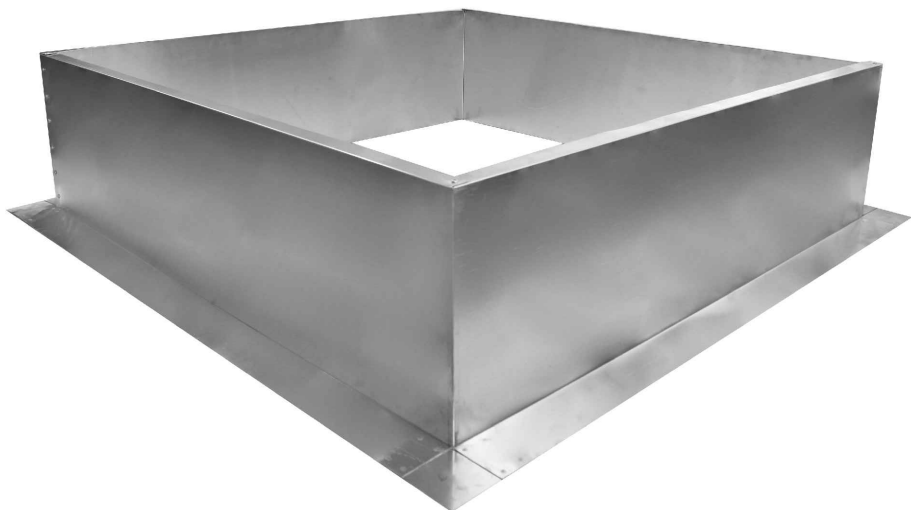
Specification Sheet

1/1/2023

Roof Curb Model: RC-48-H12 ID: 49" OD: 51"



- Aluminum Alloy 3003-H14
- Thickness = 0.040" ± 0.005
- Tolerance = ± .25 (1/4")



*Model not to scale