

# Active Ventilation Products, Inc.

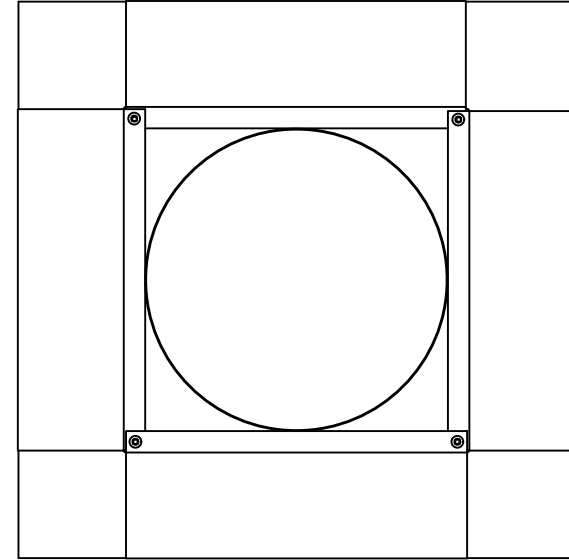
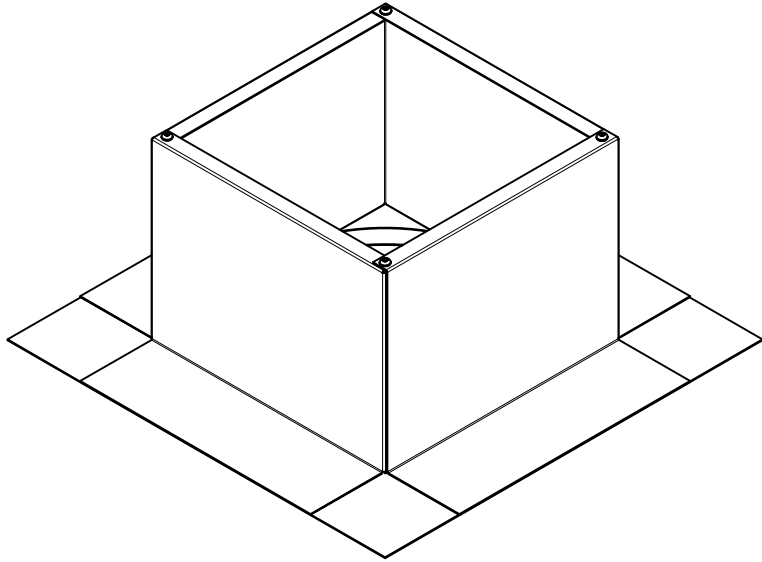
Website: [roofvents.com](http://roofvents.com)

Email: [sales@roofvents.com](mailto:sales@roofvents.com)

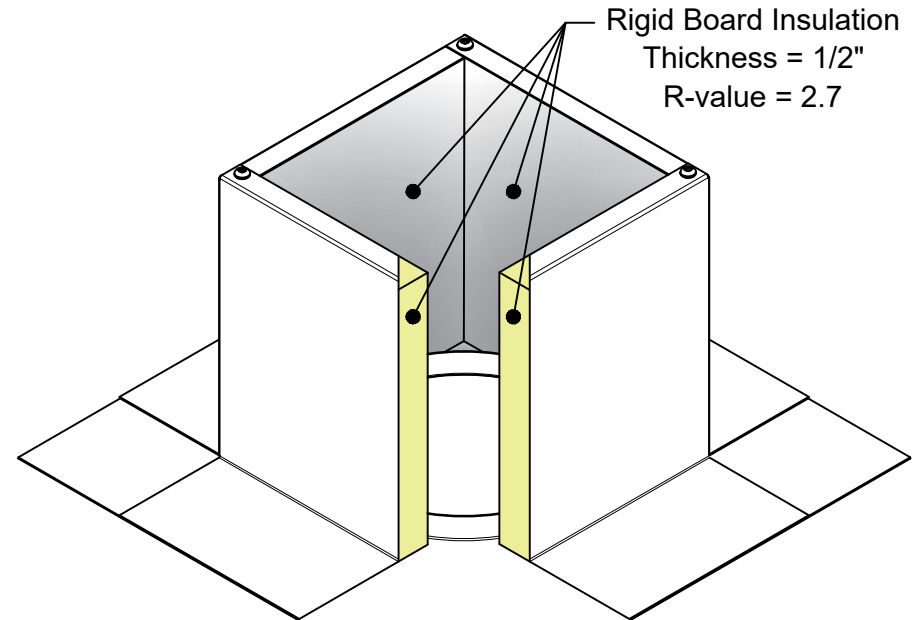
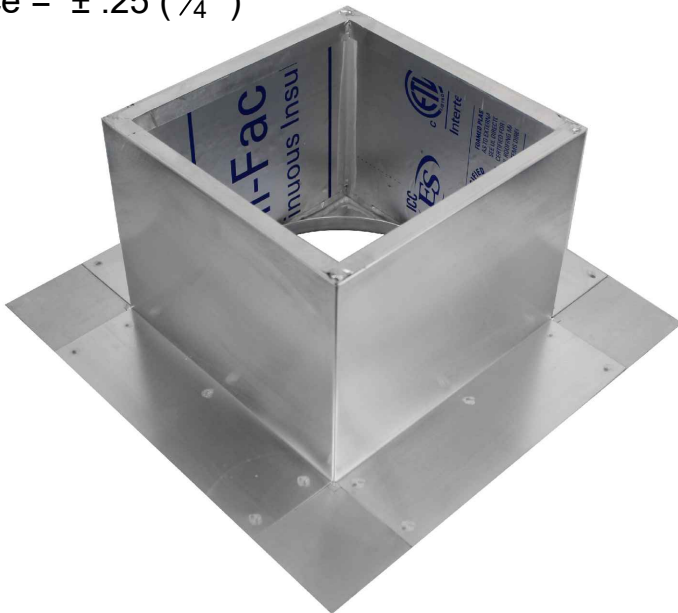
# Specification Sheet

1/1/2023

Insulated Roof Curb Model: RC-5-H6-Ins ID: 7" OD: 8"



- Aluminum Alloy 3003-H14
- Thickness = 0.025" ± 0.005
- Tolerance = ± .25 ( 1/4" )



Rigid Board Insulation  
Thickness = 1/2"  
R-value = 2.7

\*Model is Not to Scale\*