



# Active Ventilation Products, Inc.

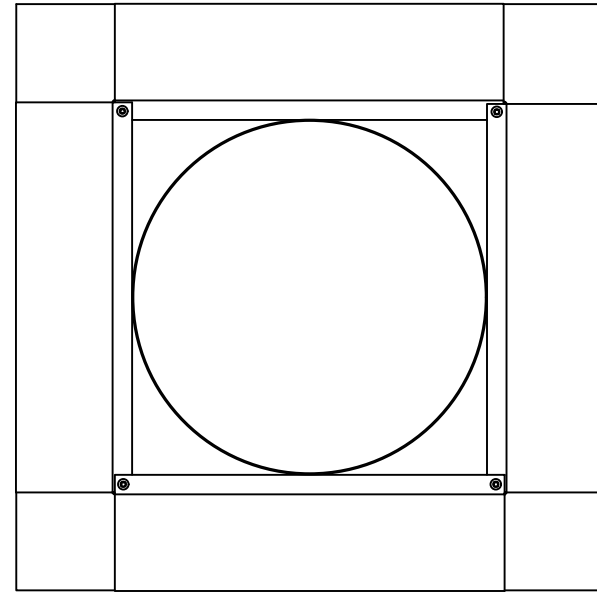
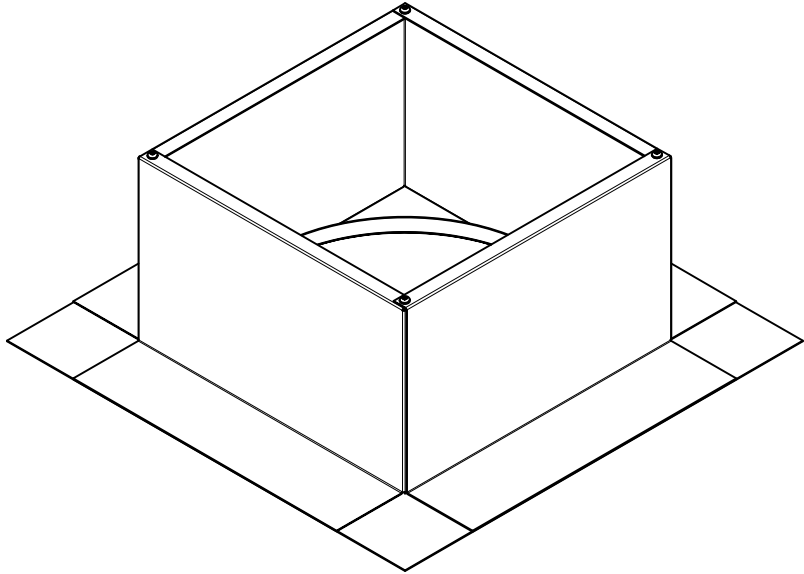
Website: [roofvents.com](http://roofvents.com)

Email: [sales@roofvents.com](mailto:sales@roofvents.com)

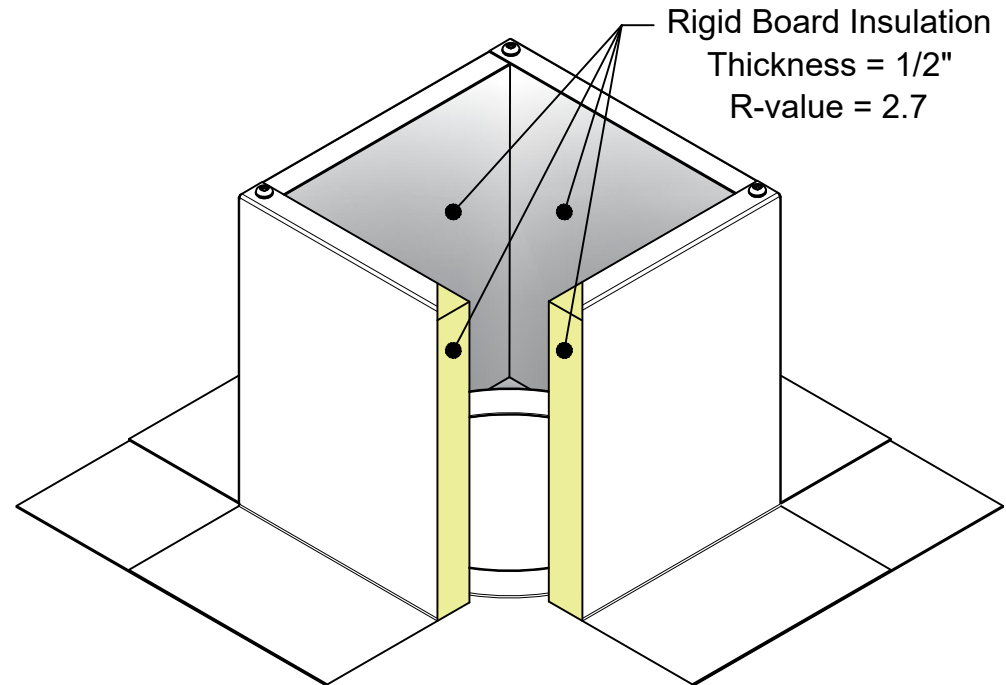
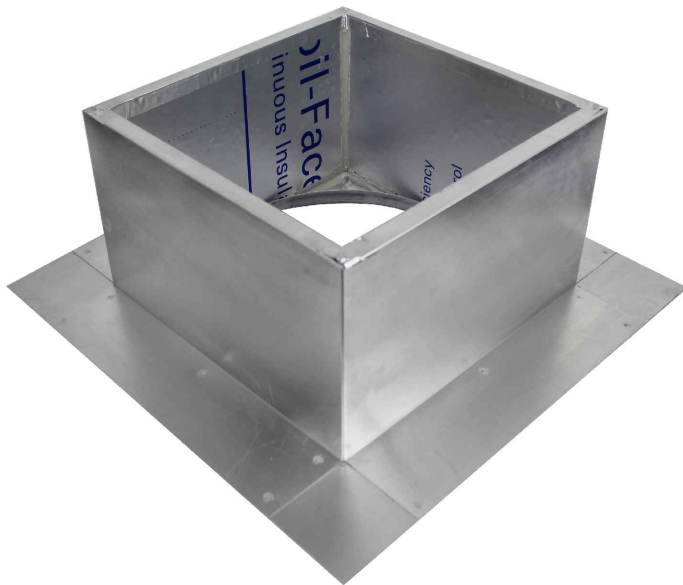
# Specification Sheet

1/1/2023

Insulated Roof Curb Model: RC-7-H6-Ins ID: 9" OD: 10"



- Aluminum Alloy 3003-H14
- Thickness = 0.025" ± 0.005
- Tolerance = ± .25 (1/4")



\*Model is Not to Scale\*