

Active Ventilation Products, Inc.

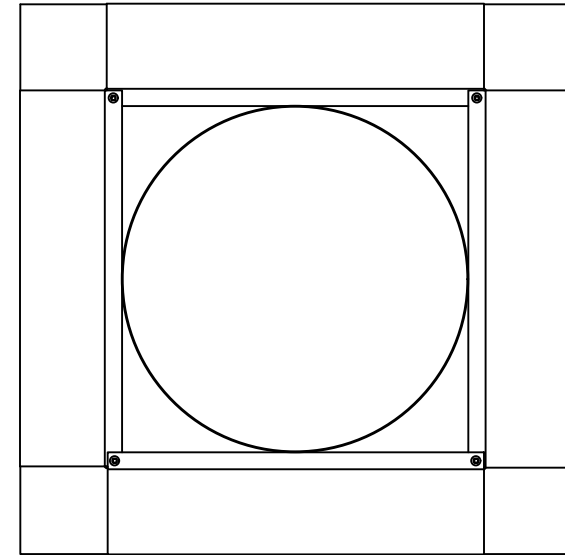
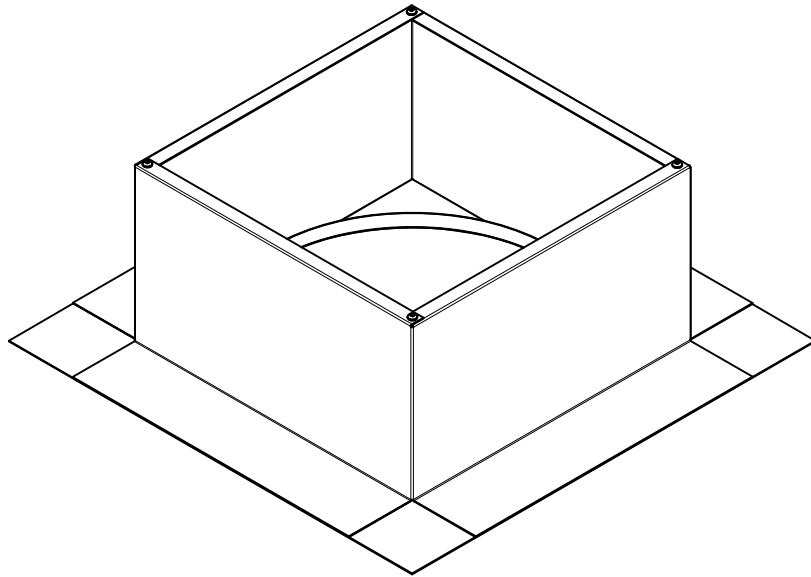
Website: roofvents.com

Email: sales@roofvents.com

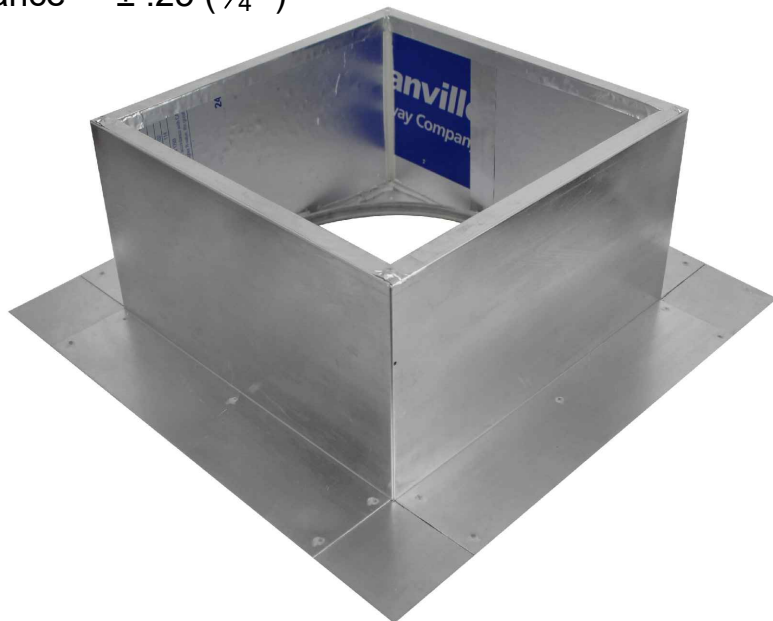
Specification Sheet

1/1/2023

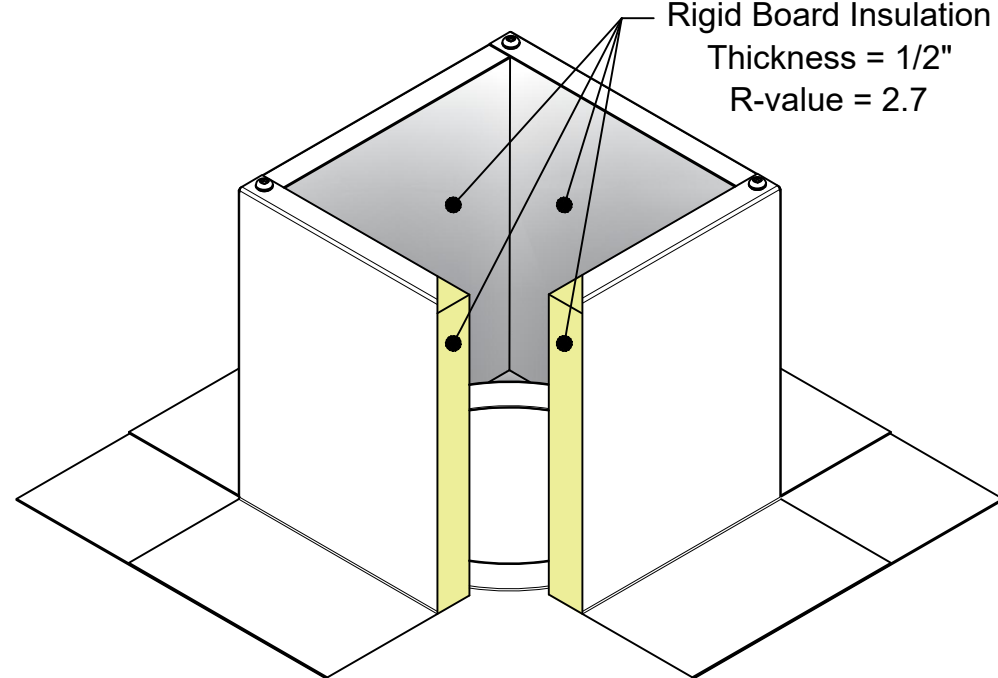
Insulated Roof Curb Model: RC-8-H6-Ins ID: 10" OD: 11"



- Aluminum Alloy 3003-H14
- Thickness = 0.025" ± 0.005
- Tolerance = ± .25 (1/4")



Rigid Board Insulation
 Thickness = 1/2"
 R-value = 2.7



Model is Not to Scale