



Active Ventilation Products, Inc.

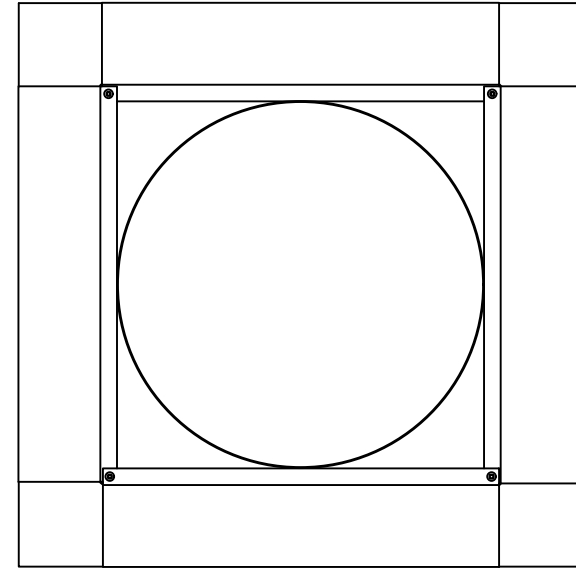
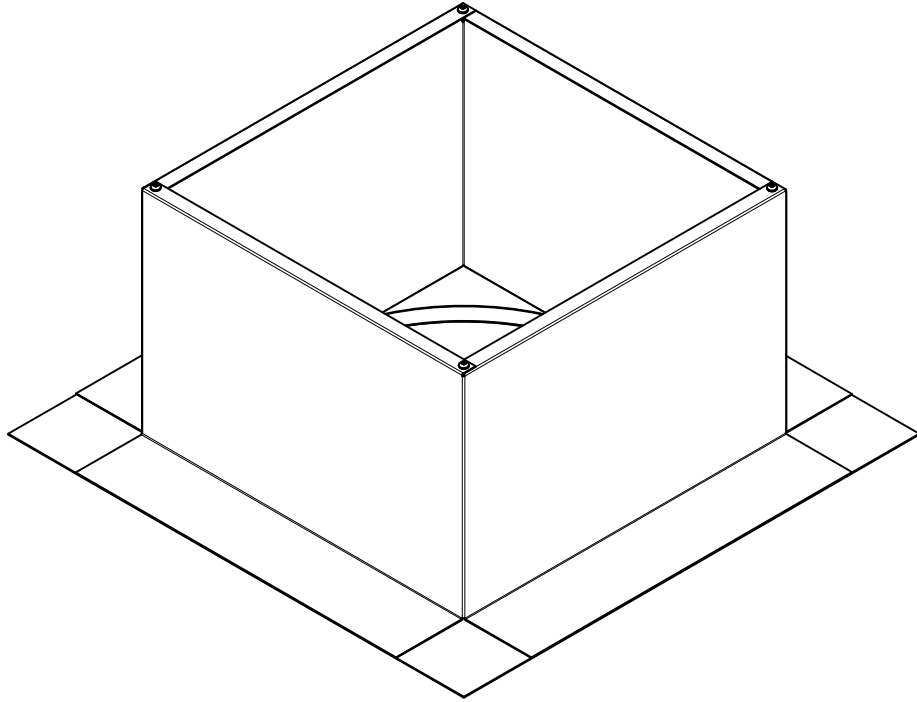
Website: roofvents.com

Email: sales@roofvents.com

Specification Sheet

8/28/2023

Roof Curb Model: RC-9-H8 ID: 11" OD: 12"



- Aluminum Alloy 3003-H14
- Thickness = $0.025" \pm 0.005$
- Tolerance = $\pm .25$ ($\frac{1}{4}"$)

