



Square Roof Curb

Model Number: SRC-20-H8 | Fits Vent or Fan with Base $\geq 23\frac{1}{2}$ "

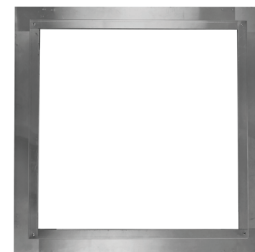
Inside Opening: 21" | Outside Length & Width: 23" | Height: 8"



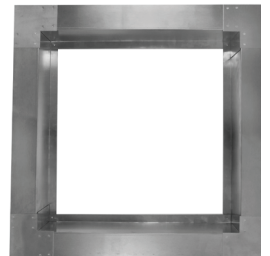
- A metal Square Roof Curb for roof vents, attic fans, or HVAC assemblies
- Preassembled to reduce installation time
- Used on EPDM, PVC and TPO roofs
- Manufactured of .040 thick Aluminum
- Lighter and more fireproof than wooden roof curbs
- Allows for easy access to the attic or plenum below



Side

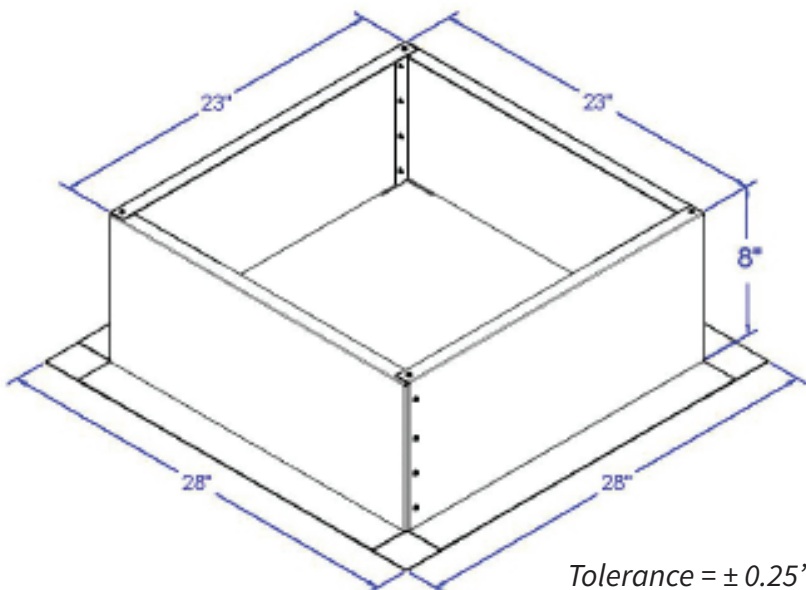


Top View



Bottom View

Dimensions & Specifications



Tolerance = ± 0.25 "

