



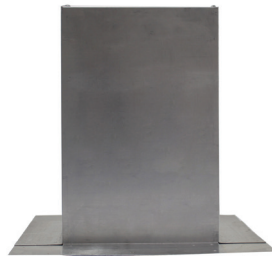
Square Roof Curb

Model Number: SRC-4-H12 | For Vent / Fan Base $\geq 7\frac{1}{2}$ "

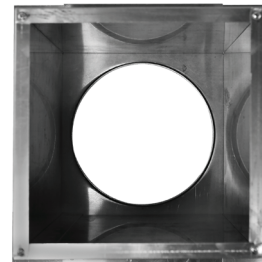
Inside Opening: 6" | Outside Length & Width: 7" | Height: 12"



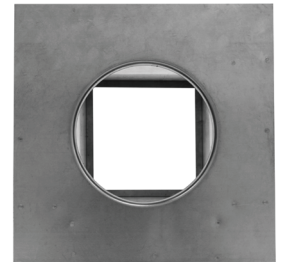
- A metal Square Roof Curb for roof vents, attic fans, or HVAC assemblies
- Preassembled to reduce installation time
- Used on EPDM, PVC and TPO roofs
- Aluminum Alloy 3003-H14, thickness 0.025"
- Lighter and more fireproof than wooden roof curbs
- Allows for easy access to the attic or plenum below



Side

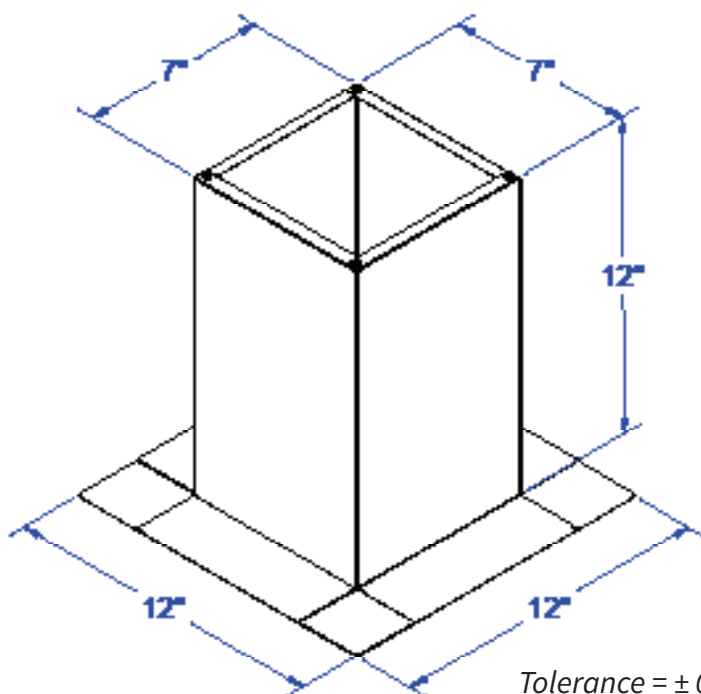


Top View



Bottom View

Dimensions & Specifications



Tolerance = ± 0.25 "

