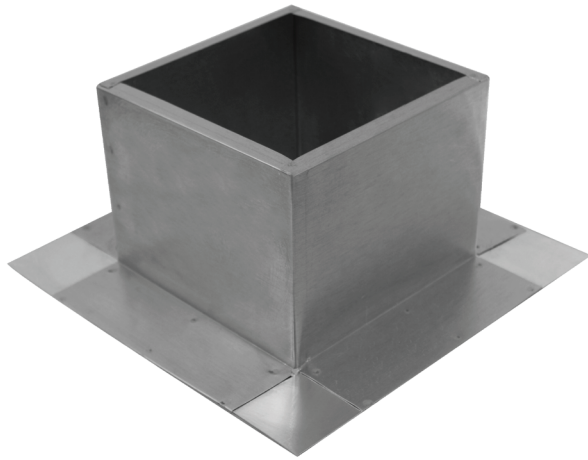




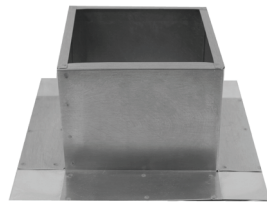
Square Roof Curb

Model Number: SRC-5-H6 | For Vent / Fan Base $\geq 8\frac{1}{2}$ "

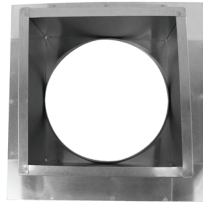
Inside Opening: 7" | Outside Length & Width: 8" | Height: 6"



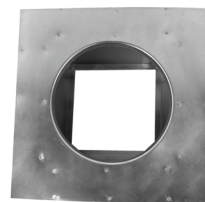
- A metal Square Roof Curb for roof vents, attic fans, or HVAC assemblies
- Preassembled to reduce installation time
- Used on EPDM, PVC and TPO roofs
- Aluminum Alloy 3003-H14, thickness 0.025"
- Lighter and fire resistant vs wooden roof curbs
- **Allows for easy access to the attic or plenum below**



Side

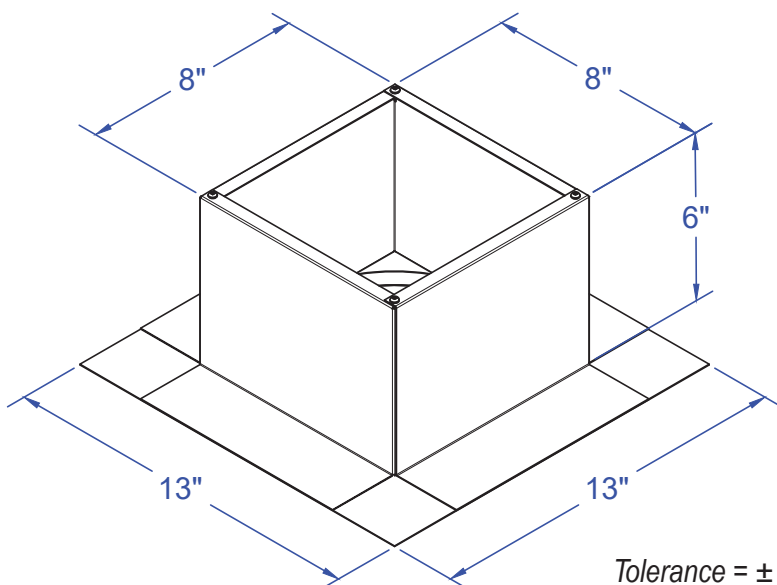


Top View



Bottom View

Dimensions & Specifications



Tolerance = ± 0.25 "

