



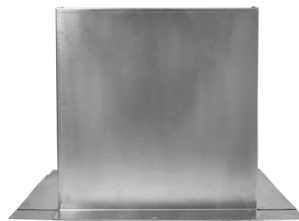
## Square Roof Curb

**Model Number: SRC-9-H12 | For Vent / Fan Base  $\geq 12\frac{1}{2}$ "**

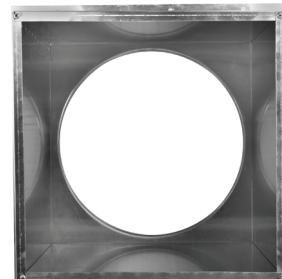
**Inside Opening: 11" | Outside Length & Width: 12" | Height: 12"**



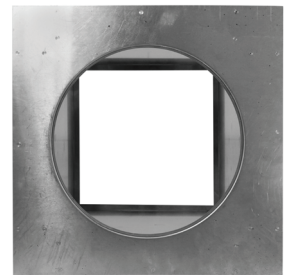
- A metal Square Roof Curb for roof vents, attic fans, or HVAC assemblies
- Preassembled to reduce installation time
- Used on EPDM, PVC and TPO roofs
- Aluminum Alloy 3003-H14, thickness 0.025"
- Lighter and more fireproof than wooden roof curbs
- Allows for easy access to the attic or plenum below



Side

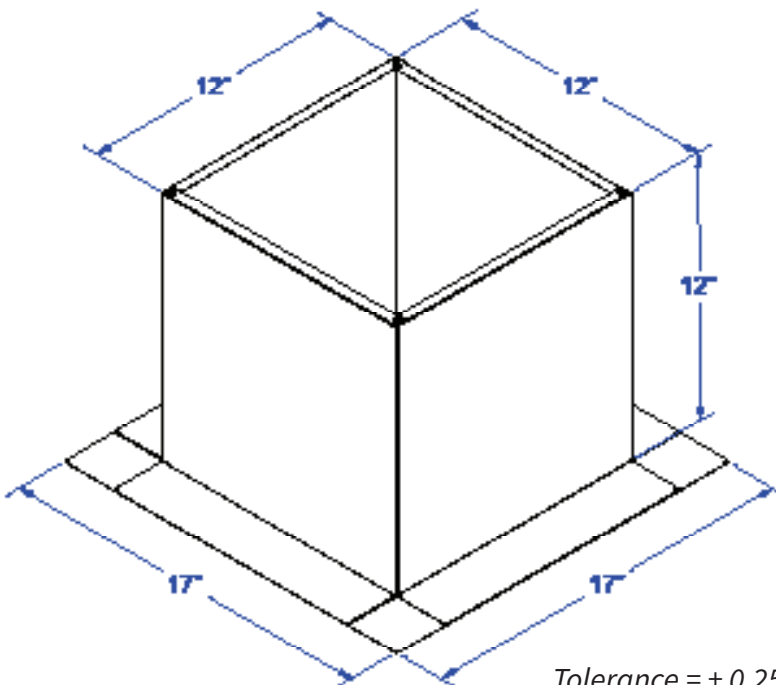


Top View



Bottom View

## Dimensions & Specifications



Tolerance =  $\pm 0.25$ "

