

## Insulated Square Roof Curb

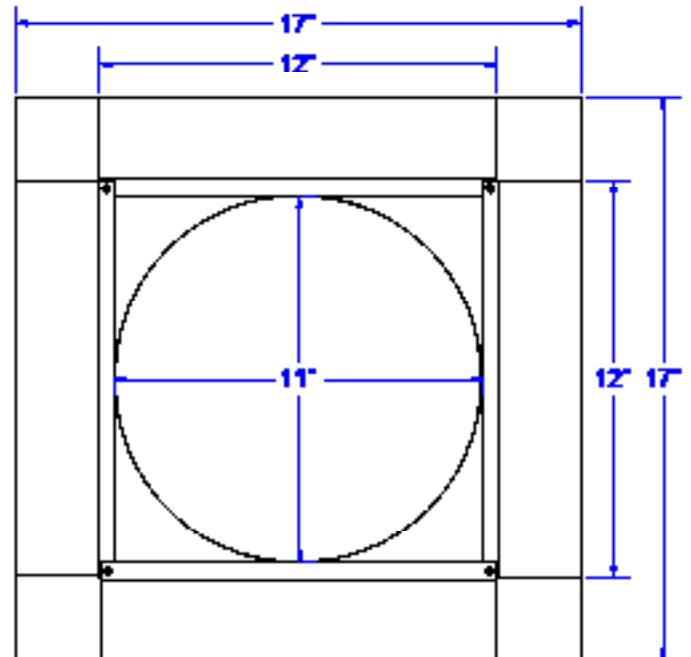
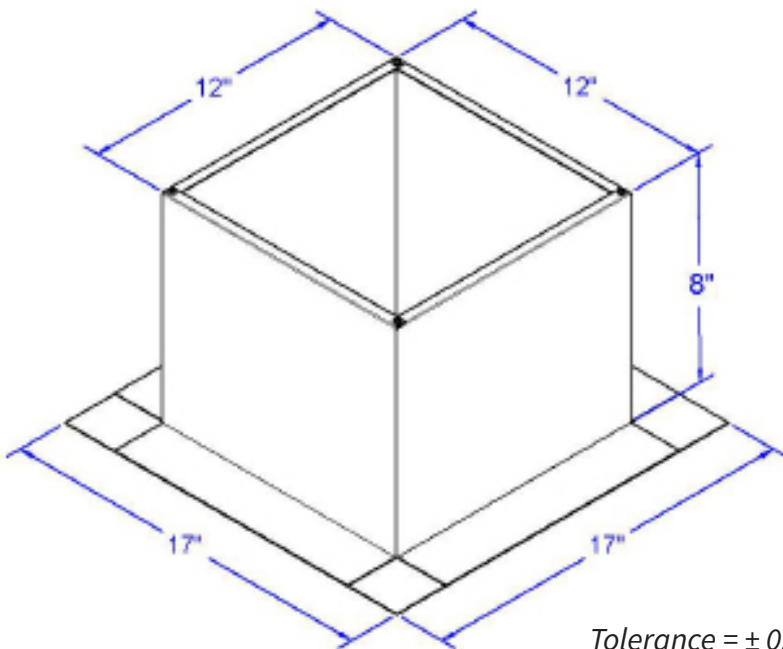
**Model Number: SRC-9-H8-Ins**

*Inside Throat Diameter: 11" | Outside Length & Width: 12" | Height: 8"*



- Aluminum roof curb for roof vents or attic fans
- Insulation adds a protective layer from outside weather
- R-2.7, 0.5" thick foil faced polyiso board insulation
- Preassembled to reduce installation time
- Only for EPDM, PVC and TPO roofs
- Aluminum Alloy 3003-H14, thickness 0.025" ( $\pm 0.005$ " )
- 8" tall, 12" square OD, and 11" diameter throat in base
- 5 year warranty

### Dimensions & Specifications



Tolerance =  $\pm 0.25$ "