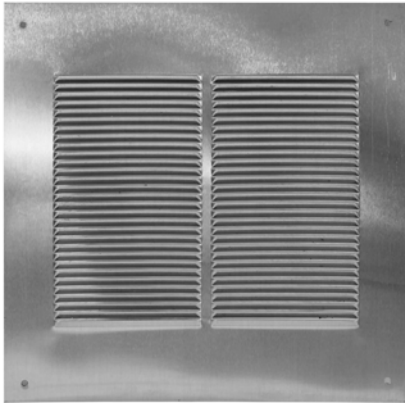


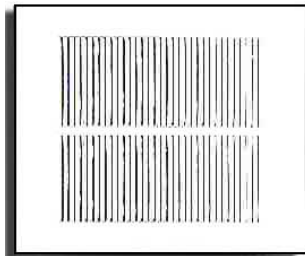


Under Eave Soffit Vent

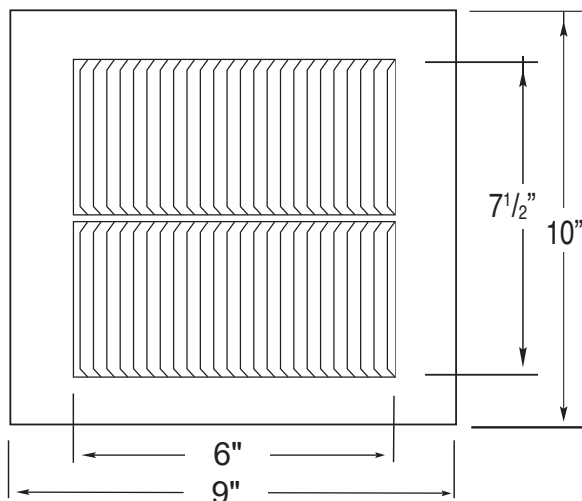
Model: SV-W10-L9 | 10" Wide and 9" Long



- Under Eave Soffit Vents allow fresh outside air to enter the attic
- Soffit Vents are essential for completing attic ventilation
- Vents come with predrilled holes
- Louvers are designed to prevent rain, snow, and wildlife from entering
- Constructed of durable rust-free aluminum
- Colors are available



Dimensions & Specifications



Louver Length	
6 in	
Overall Length	
9 in	
NFA - Net Free Air Space	
(sq. inches)	(sq. feet)
36	0.25
IBC - Application per Sq. Ft.	
(1/150)	(1/300)
76	152