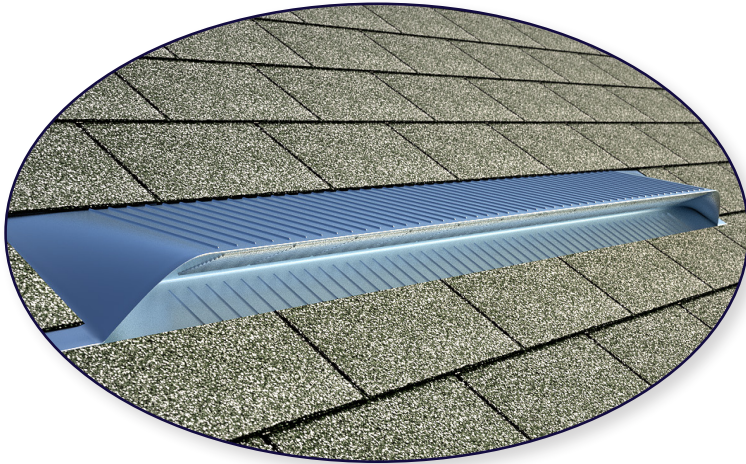


Universal Vent Model Number: UV-90

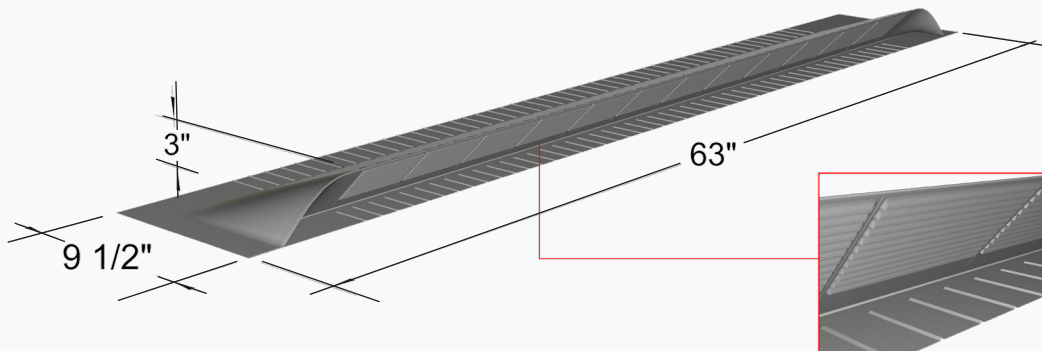


- Ventilates out hot humid air in the summer and moist damp air in the winter for an energy efficient attic
- These Dormer Vents are used to ventilate parapet walls and low slope roofs
- Louvers are designed to prevent rain, snow, insects and animals from entering
- Constructed of durable rust-free aluminum
- Tested to withstand wind speeds of 200+ mph
- UL Certified



Sample colors (other colors available)

Dimensions & Specifications



Pitch Capacity		Net Free Vent Area		Application per Sq. Ft.		Weight
Min. (Slope)	Max. (Wall)	(Sq. In.)	(Sq. Ft.)	(1/150)	(1/300)	(lbs)
3/12	24/12	90	0.63	188	375	2