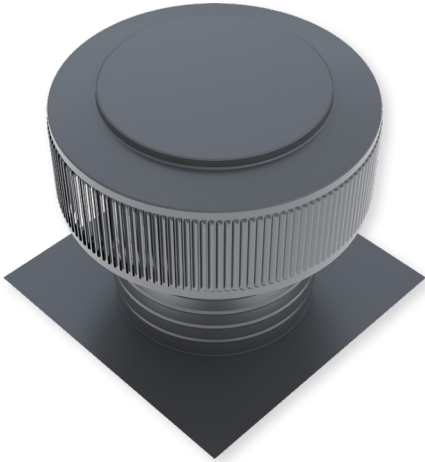




Aura Gravity Roof Ventilator

Model Number: AV-10-C6 | 10" Diameter 6" Tall Collar



- Residential Gravity Ventilator removes hot air in the summer and moisture from the attic in the winter to provide ventilation for low slope or flat roofs
- Exhausts air like a roof turbine but with no moving parts
- Engineered to prevent rain, snow, insects and animals from entering
- Lowers attic temperature
- Suitable for low slope or flat roofs in climate zones 1-4 (see climate zone map)
- Constructed of durable rust-free aluminum
- UL Certified, Florida State & California Fire Code approved, Texas Department of Insurance; Tested to withstand wind speeds of 200+ mph



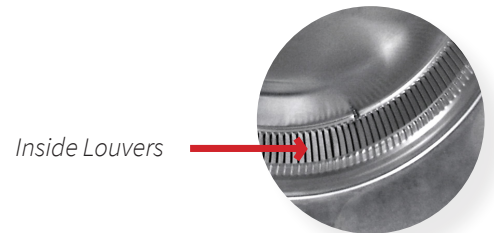
Brown-8028

Grey-7039

Green-6028

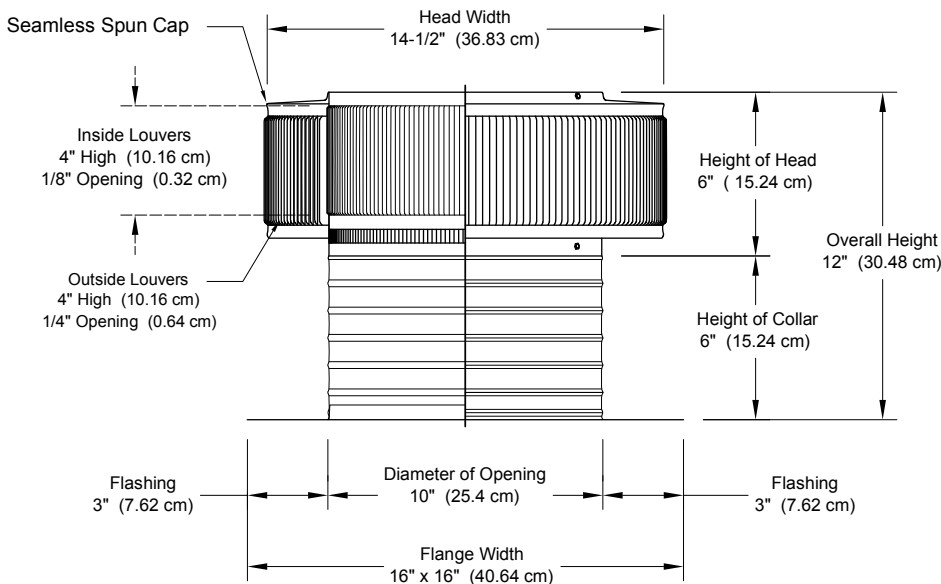
Black

Additional colors available



Inside Louvers

Dimensions & Specifications 78 Sq. in. NFA



Pitch Capacity				
Min.	Max. (Standard Vent)	Max. (Modified)		
0/12	7/12	12/12		
Net Free Vent Area				
(sq. inches)		(sq. feet)		
78		0.54		
Application per Sq. Foot				
(1/150)		(1/300)		
162		325		
Weight				
3.2 lbs				
CFM Performance Testing (using wind only)				
4 mph	5.2 mph	7.4 mph	9.8 mph	11 mph
100	117	186	218	248